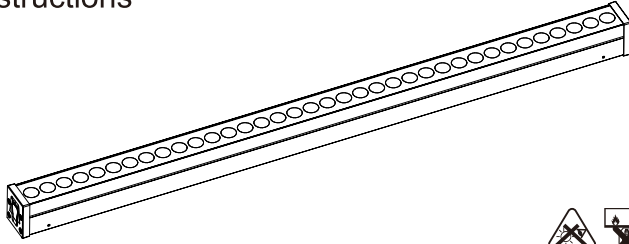
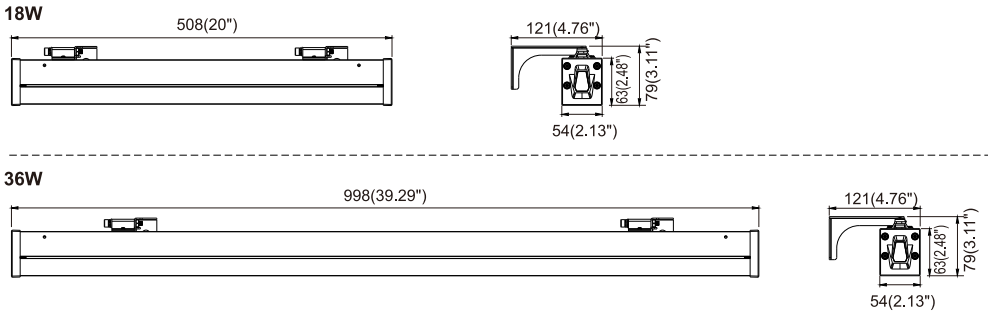


LED Linear Wall Washer(DC Input)

Installation Instructions



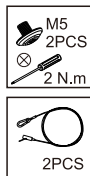
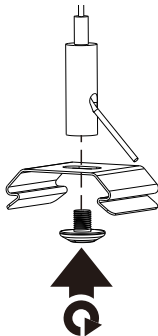
Physical Dimensions (Unit: mm/inch)



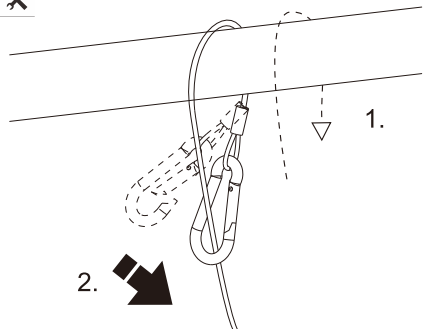
Product Specifications	18W	36W
Input Voltage	DC 24V	
Outlook Dimensions	508x121x79mm(20"x4.76"x3.11")	998x121x79mm(39.29"x4.76"x3.11")
Luminaire Net Weight	1.7±0.3kg(3.75±0.66Lbs)	2.7±0.3kg(5.95±0.66Lbs)
Projected Area	0.027m ² (0.293ft ²)	0.054m ² (0.578ft ²)
Working Temperature	-30°C to +50°C(-22°F to +122°F)	
Storing Temperature	-40°C to +70°C(-40°F to +158°F)	

Suspension Mount (A)

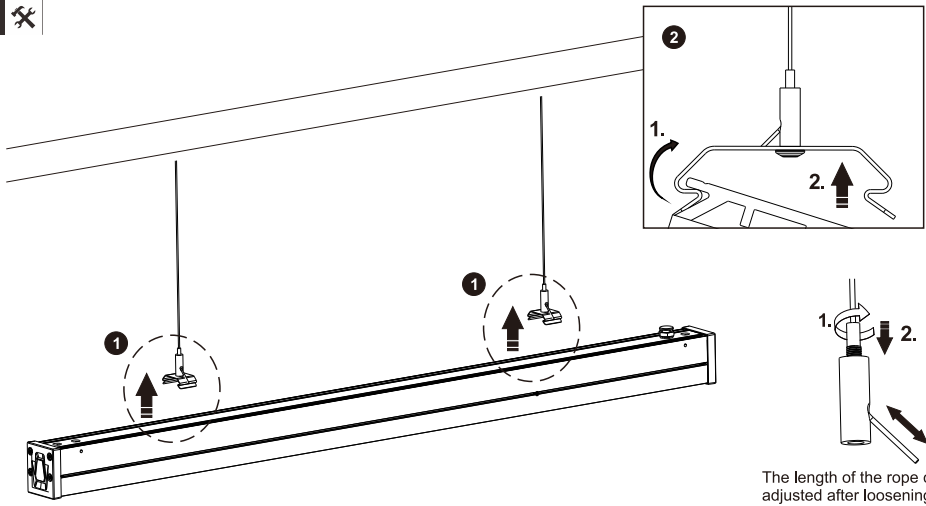
1.



2.

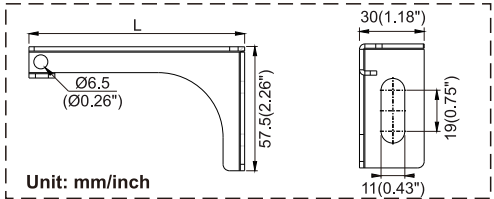
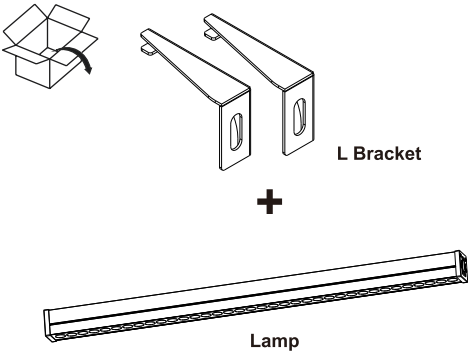


3. ✂



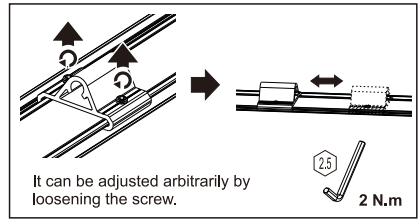
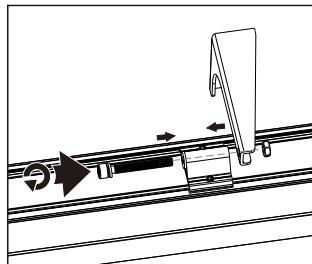
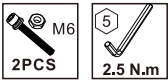
The length of the rope can be adjusted after loosening the screw.

Bracket Mount (L-shaped)

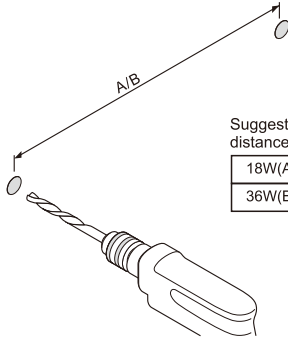


	A	B	C
L	100mm(3.94")	140mm(5.51")	180mm(7.09")

1. ✂



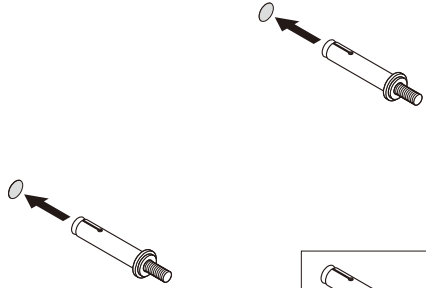
2. ✂



Suggested installation distance:

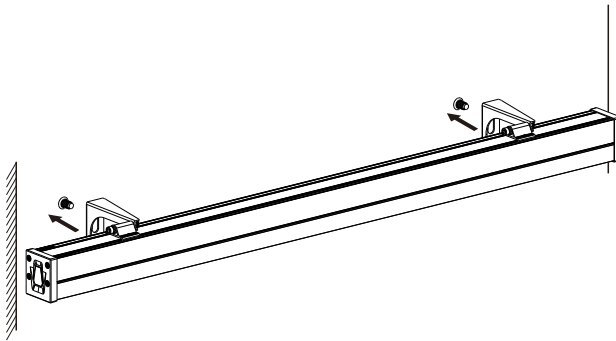
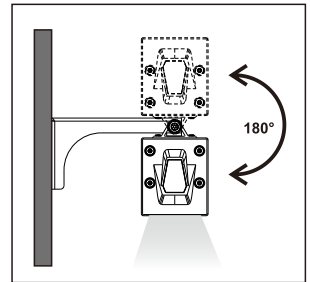
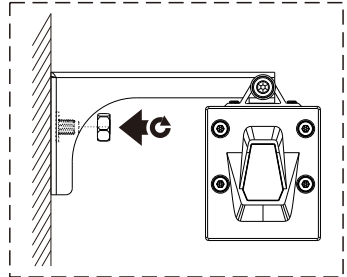
18W(A)	200~300mm
36W(B)	350~800mm

3. ✂

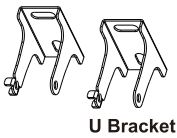
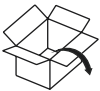


M10
2PCS

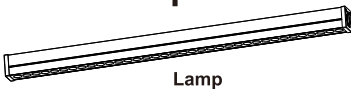
4. ✂



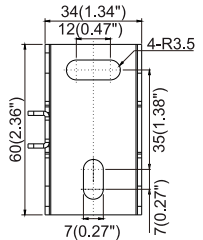
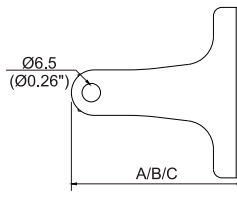
Bracket Mount (U-shaped)



+

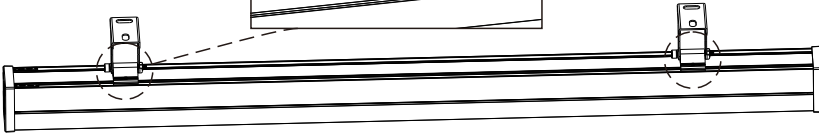
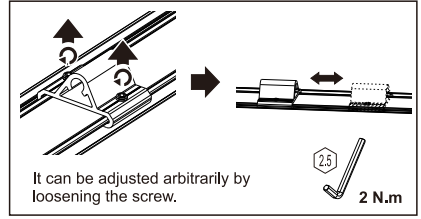
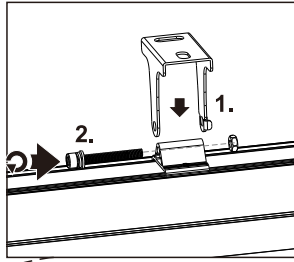


Unit: mm/inch

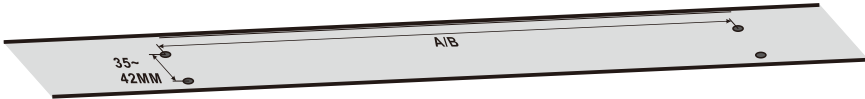


A	60mm(2.36'')
B	120mm(4.72'')
C	180mm(7.09'')

1. ✂

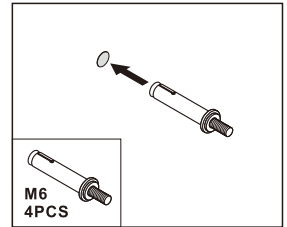


2. ✂

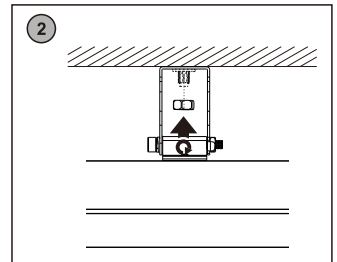
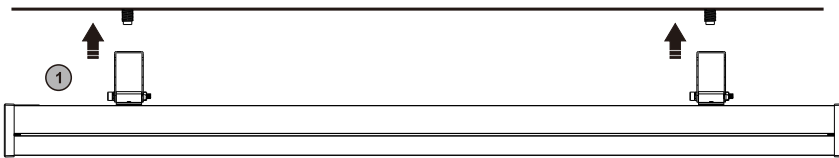


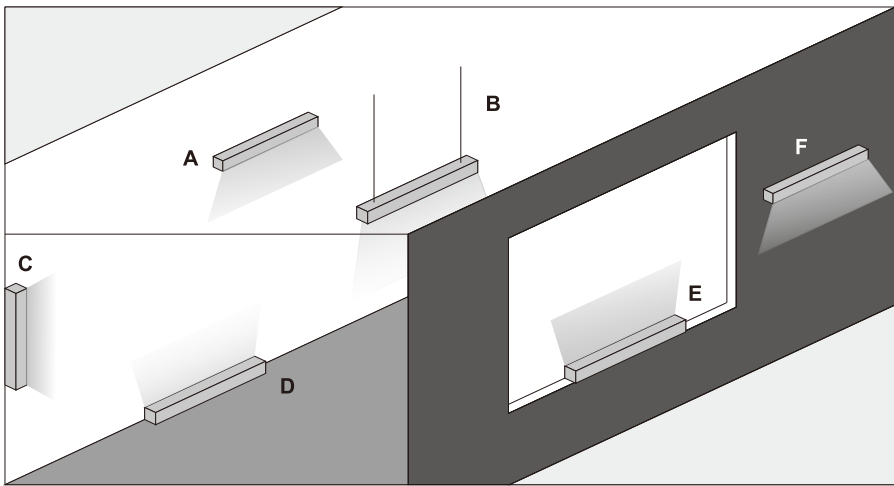
Suggested installation distance:

18W(A)	200~300mm
36W(B)	350~800mm



3. ✂





A: Ceiling Installation

C: Corner Installation

E: Windowsill Installation

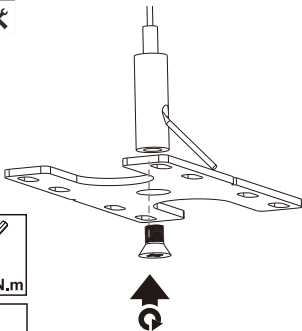
B: Hanging Rope Installation

D: Floor Installation

F: Wall Installation

Suspension Mount (B)

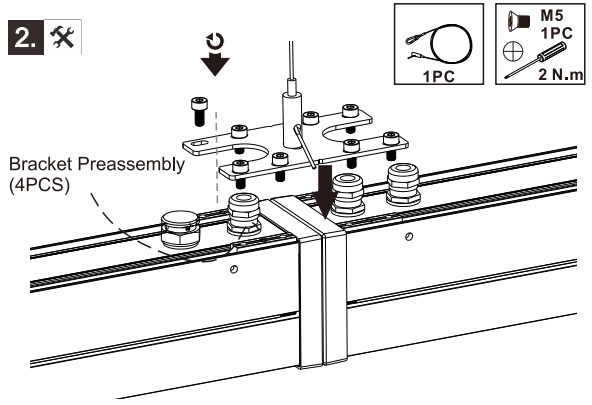
1.



1.2 N.m

M4 8PCS

2.

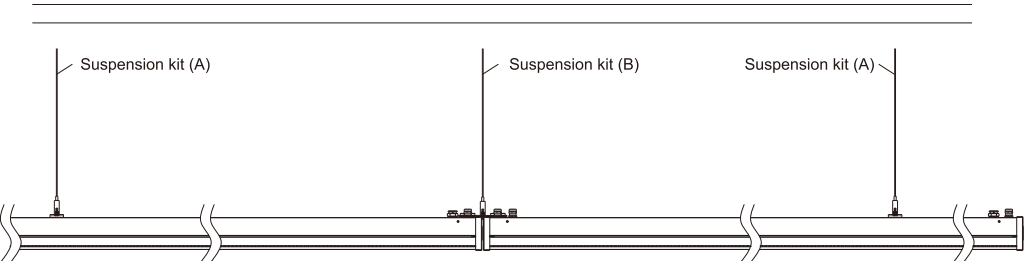


1PC

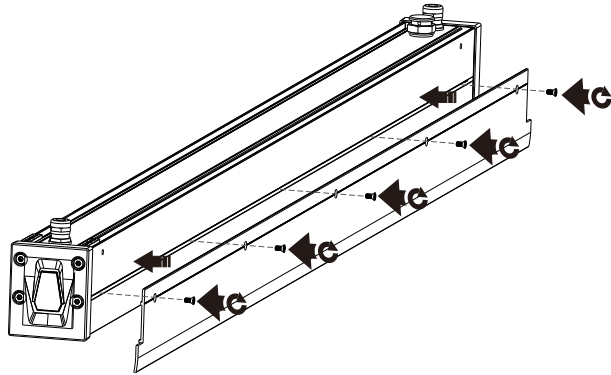
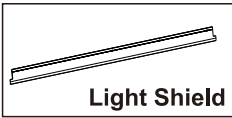
M5 1PC
 2 N.m

Bracket Preassembly (4PCS)

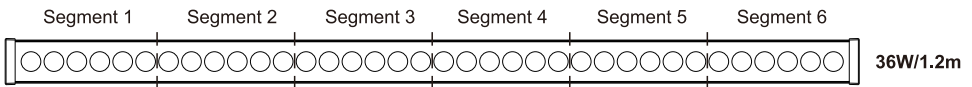
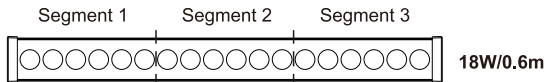
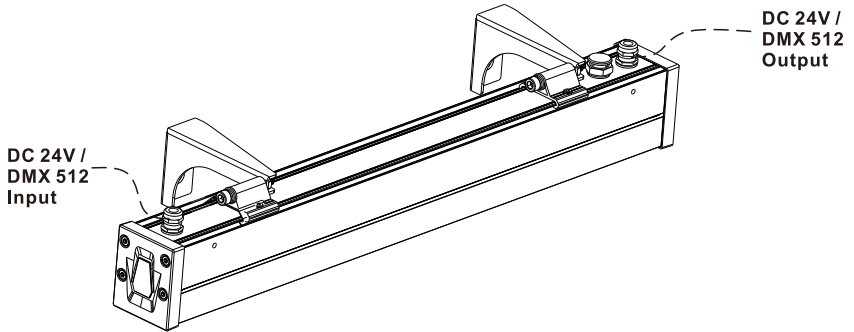
3.



Light Shield Installation (Optional)



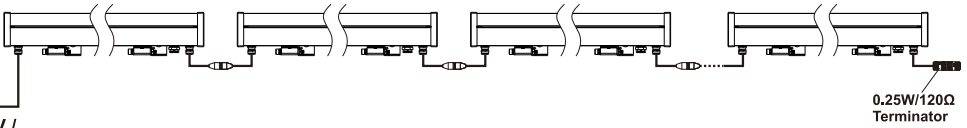
Wiring



DMX512 Control

Factory default mode for DMX control: When turn on the luminaire, all colors light up together without flashing if no input signal is detected about 5 seconds later. Please refer to below list for default address quantity.

Luminaire Wattage (Length)	Segment QTY	Channel QTY	DMX Address QTY	Light Color
18W(0.6m)	3	3	3	Monocolor
	3	3	9	RGB
	3	4	12	RGBW
36W(1.2m)	6	6	6	Monocolor
	6	3	18	RGB
	6	4	24	RGBW



DC 24V /
DMX 512

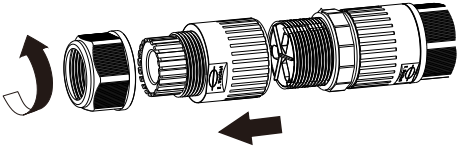
0.25W/120Ω
Terminator

Spliceable Quantity:

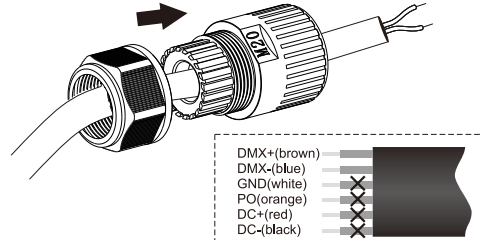
Product Specifications	36W	18W
RGBW	5PCS	10PCS
RGB	5PCS	10PCS
Monocolour	5PCS	10PCS

* It is recommended to add 0.25W/120Ω DMX Termination Resistor at the end of each string of luminaires.

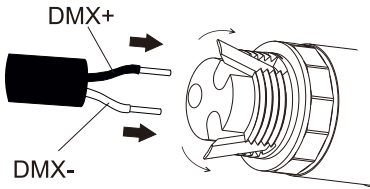
1.



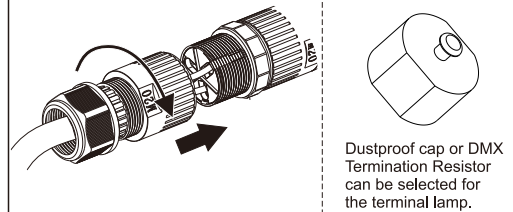
2.



3.

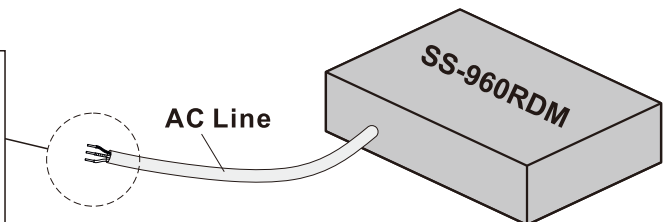
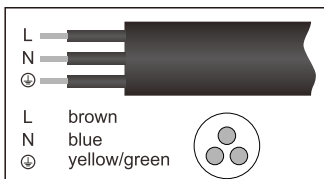


4.



SS-960RDM(Optional)

The DMX controller needs to be purchased separately. We suggest buy our SS-960RDM controller if you need to change the DMX address settings.

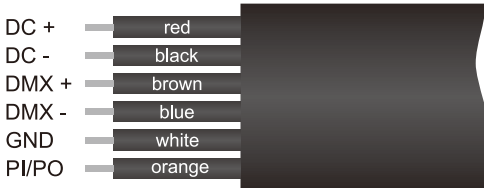
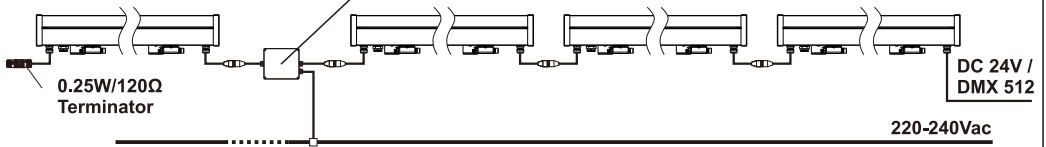
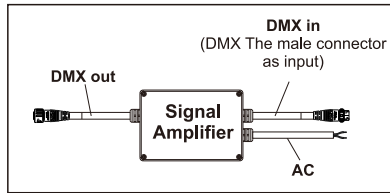


Signal Amplifier(Optional)

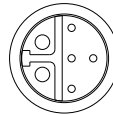
It is suggested to connect a signal amplifier every 100 meters or every 32 lights, which can improve the signal stability. If RDM controller is used instead of DMX512 controller, the signal amplifier must be compatible with RDM controller, better to purchase from us directly.

Signal line reversed connection will cause following defects:

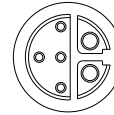
1. The luminaire is not controlled.
2. The luminaire keeps flickering.



DC/DMX in



DC/DMX out



Warning! Do not wire dim cord to high voltage, or dim function will fail.

Reminder

We appreciate your purchase!

Please read the entire instruction manual before installation and keep it for future reference.

1. Please do not modify or dismantle the luminaire or replace accessories without confirming with the supplier first.
2. Please authorize only qualified personnel to install the lamp and ensure they follow the instruction manual. Any improper installation might cause falling, electric shock, fire, or other injury, damage or hazard.
3. Please disconnect power before installation or any maintenance of the lamp. Do not touch the power supply when the lamp is operating.
4. If the luminaire begins to smoke or emit odors, please disconnect power since fire or electric shock may occur. And ask qualified person to inspect and maintain the luminaire.
5. If the external flexible cable or cord of this luminaire is damaged, it shall be exclusively replaced by the manufacturer or his service agent or a similar qualified person in order to avoid a hazard.
6. The light source contained in this luminaire shall only be replaced by the manufacturer or his service agent or a similar qualified person.
7. We suggest you adding a separate surge protection device in distribution box to extend luminaire lifespan.

Applications

1. The product is designed for facades appearance, square, plaza, business street, park, advertising board, bridge and similar applications. For other special applications, please consult your salesperson to confirm firstly.
2. Too much dust or oil accumulation on PC lens will stop the lighting emit and heat dissipation, it will change lighting distribution, and cause high heat inside to affect LED chips performance. For such environments, we suggest you to clean the luminaire regularly to ensure longer lifespan. Or you need to use product with glass cover and better heat performance instead.