



Redefine Anti-Glaring

Anti-glaring light is required more and more for applications where people doesn't feel comfortable with the glaring light, especially when the light were not very high. MILDBEAM is the ideal solution for visual protection. This increases the performance of staff and the quality of their work.

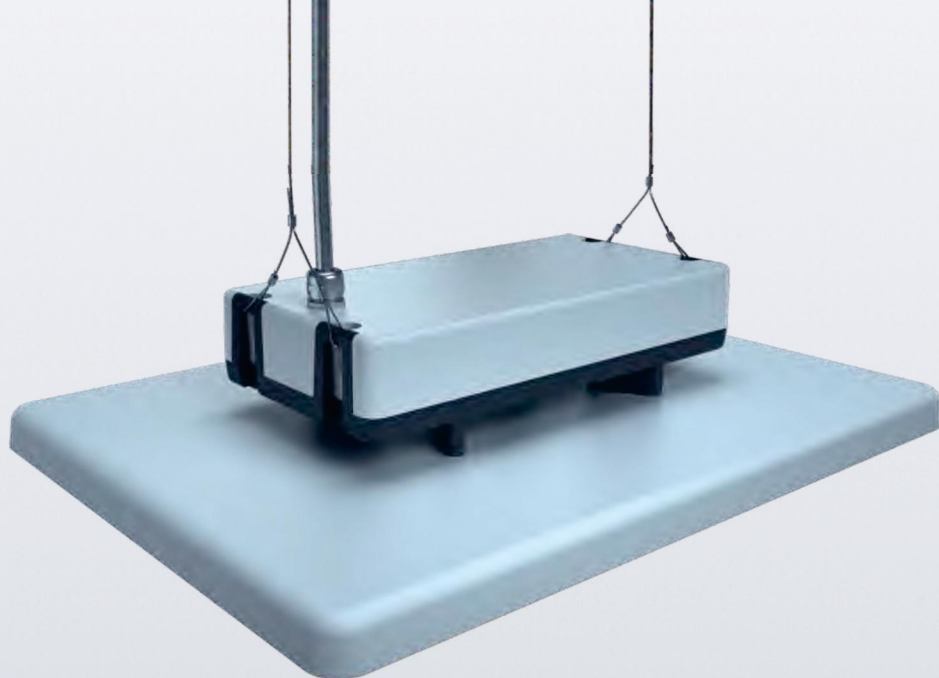


160LM/W



RoHS
compliant

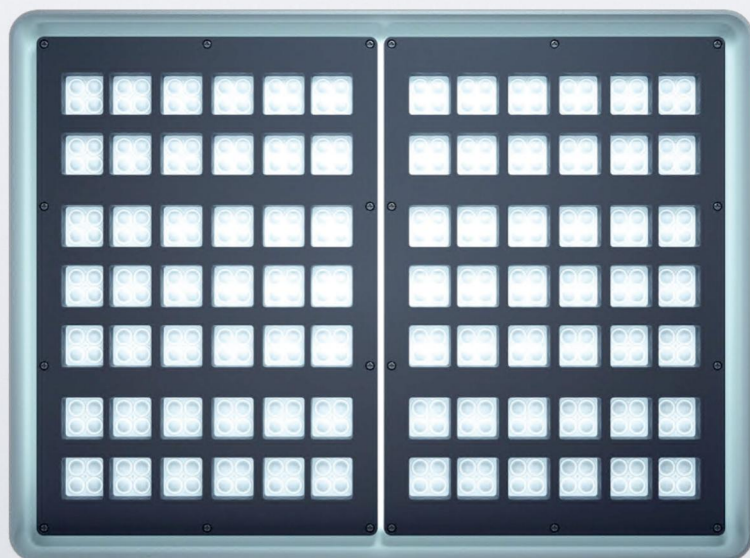
**Anti
Glaring**



**160LM/W
UGR<21**

Advanced UGR technology

The Optics was specially developed to minimize glare and maximize homogeneity. With an anti-glaring film on the lens and a shield in front, we managed to achieve UGR<19

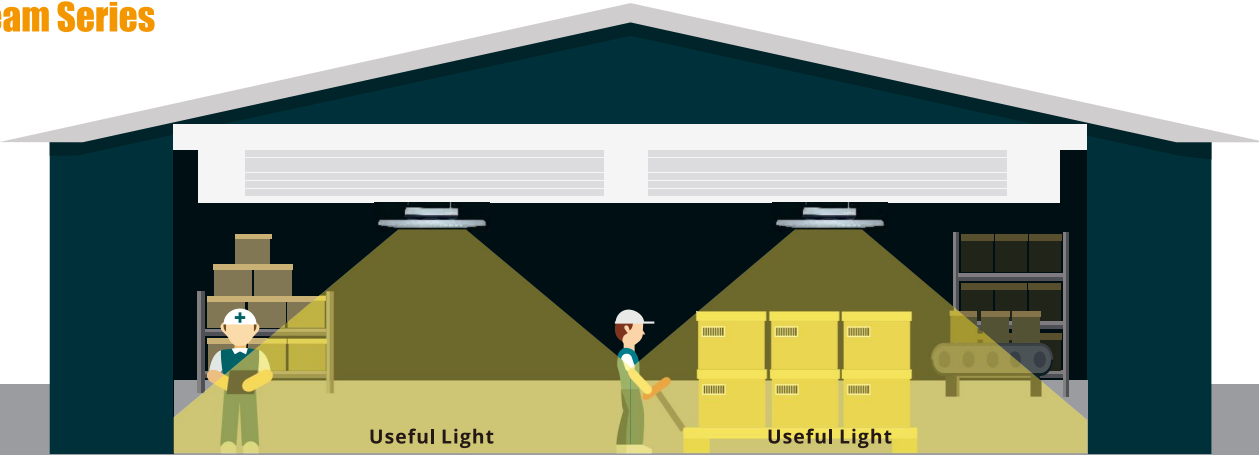




Anti-glaring
UGR<21

Glaring
UGR>27

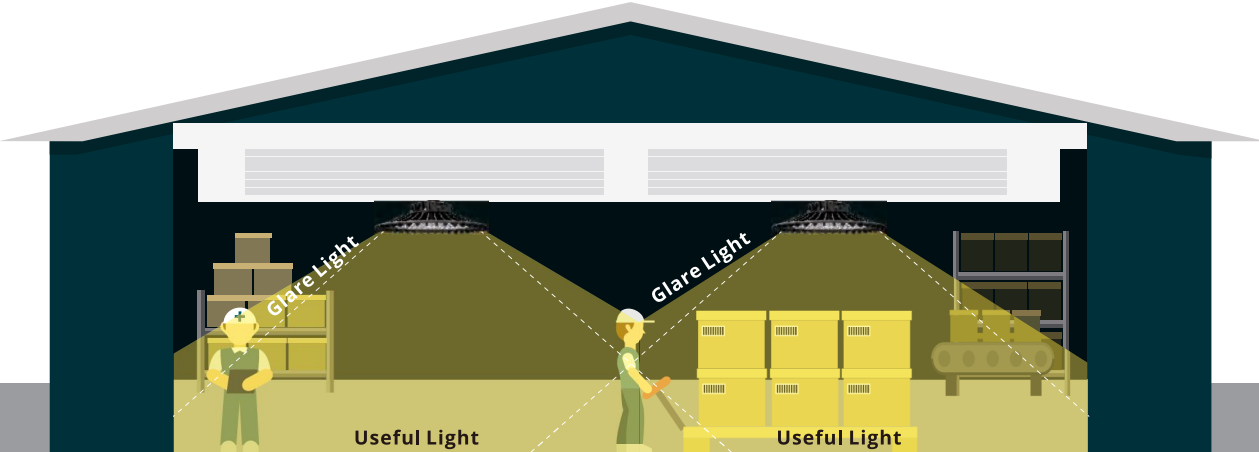
Mildbeam Series



Useful Light

Useful Light

Others

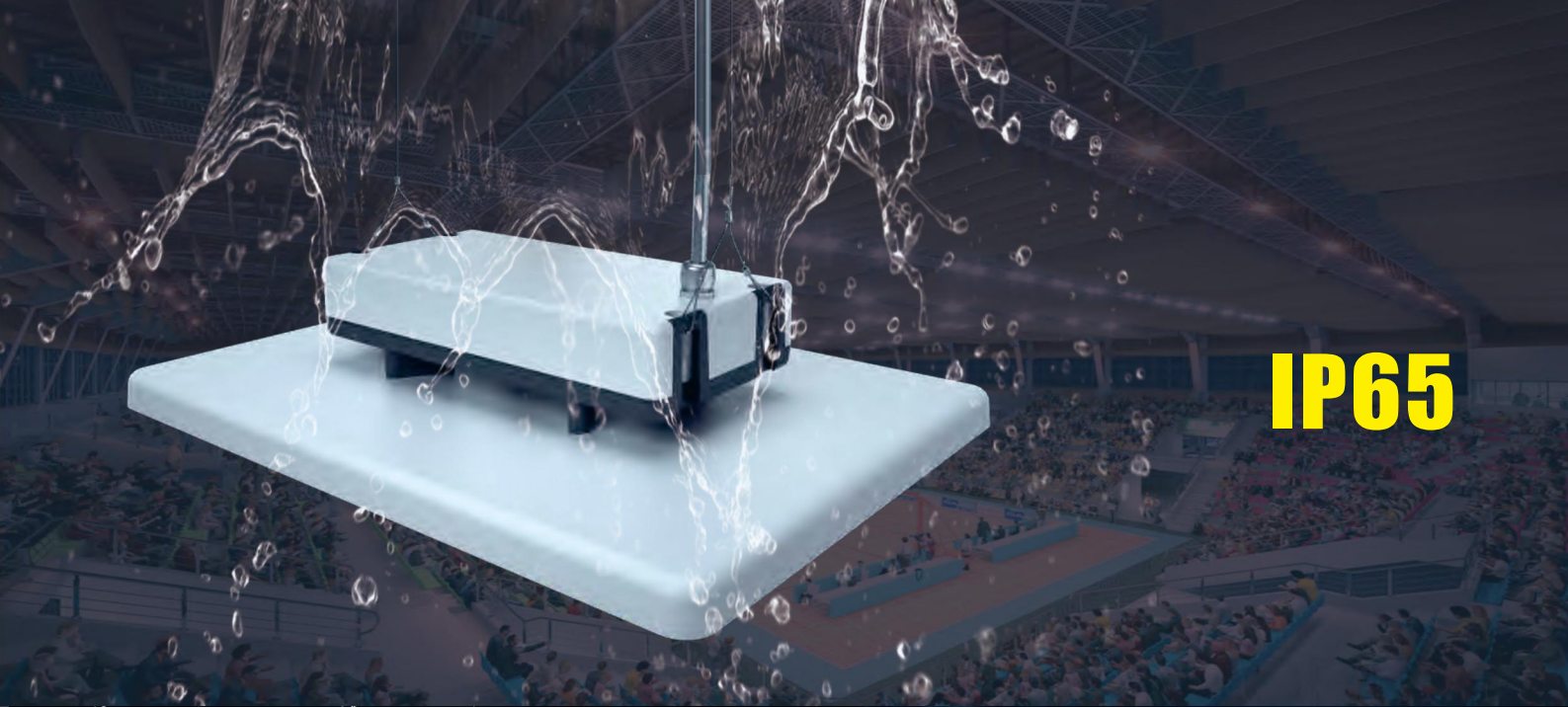


Glare Light

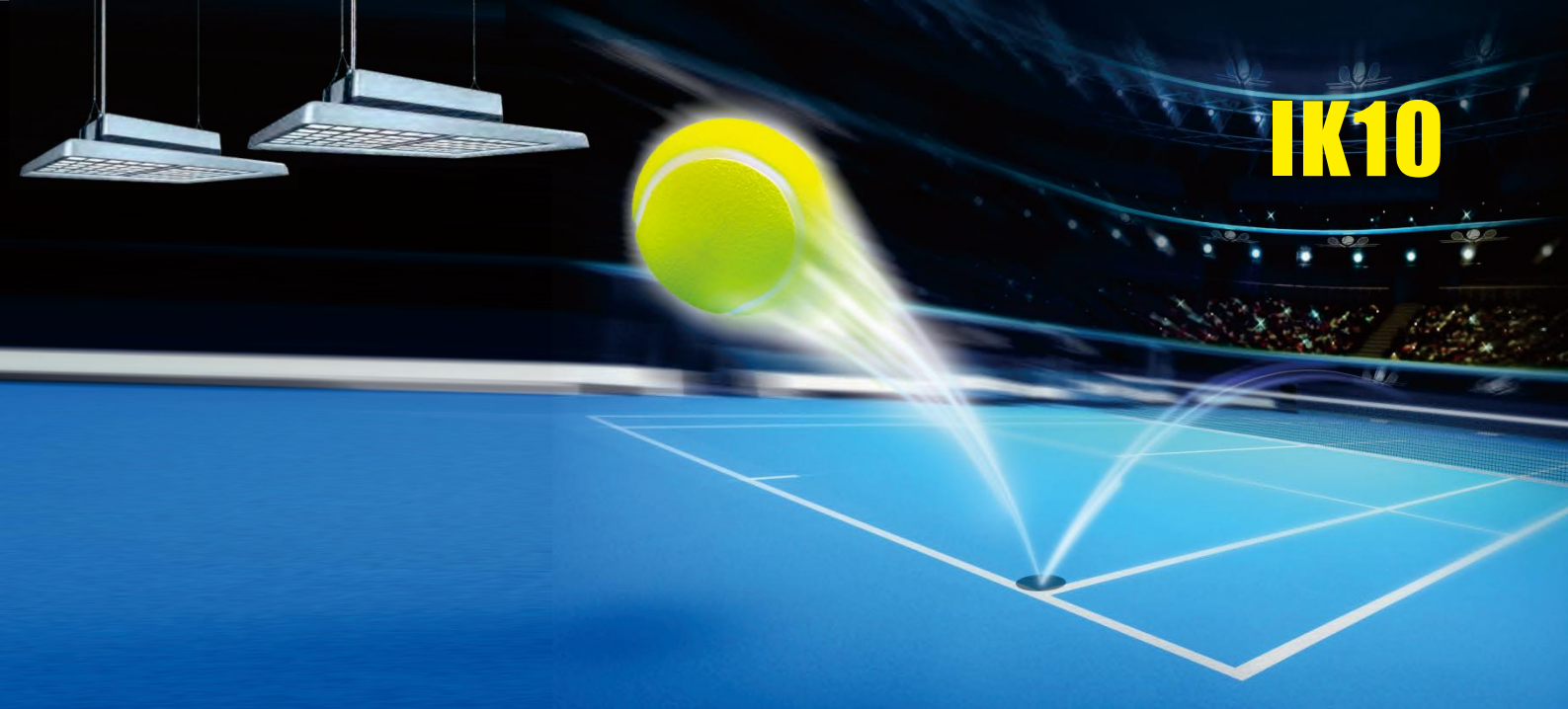
Glare Light

Useful Light

Useful Light



IP65



IK10



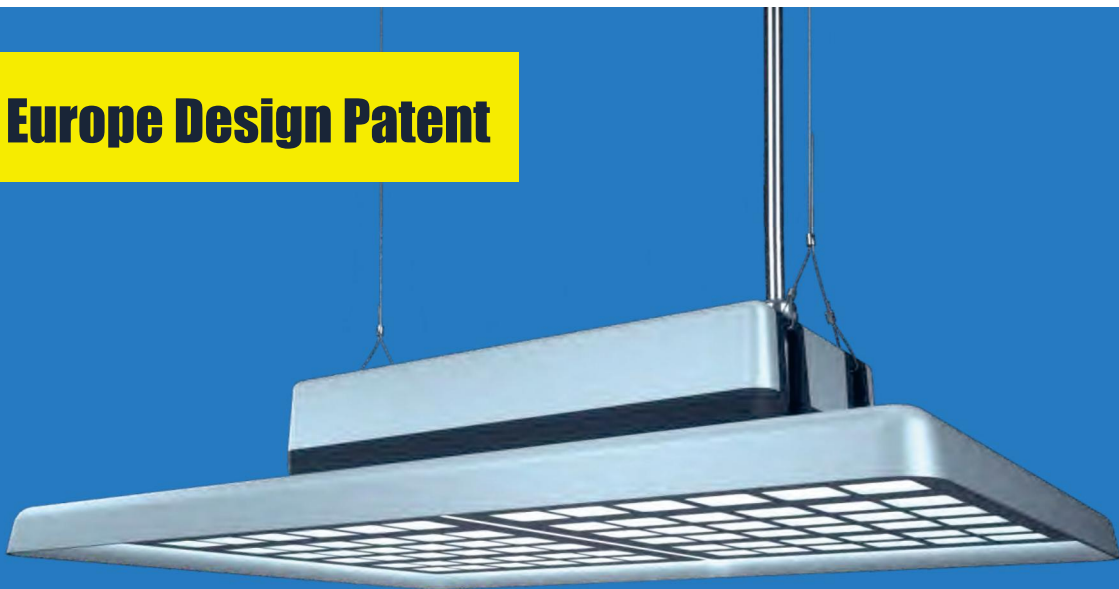
PERFECT FOR STADIUM

Excellent Heat Dissipation

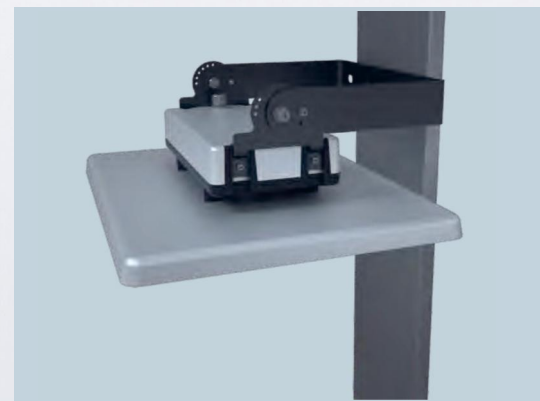
In order to simulate that under dusty working environment for 5 years time, the whole fixture was fulfilled with dust. Then the temperature of LED and Driver Tc increase 2 degrees only.



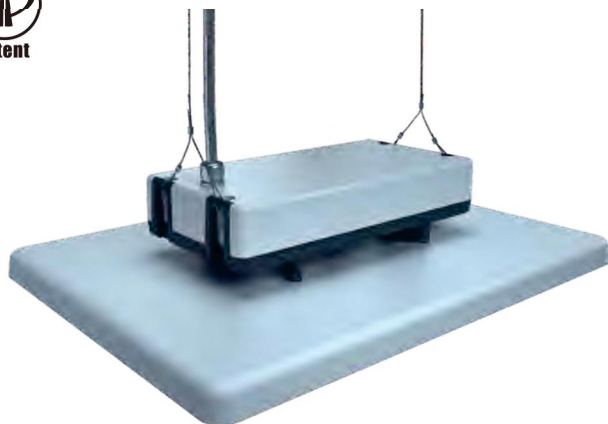
Europe Design Patent



Simple installation



With ceiling installation accessory equipped with mains lead, the two suspension points at the ceiling could be combined to One-Point installation. This saves time and cost for installation. And even vibrations and air movements are no longer able to twist it.

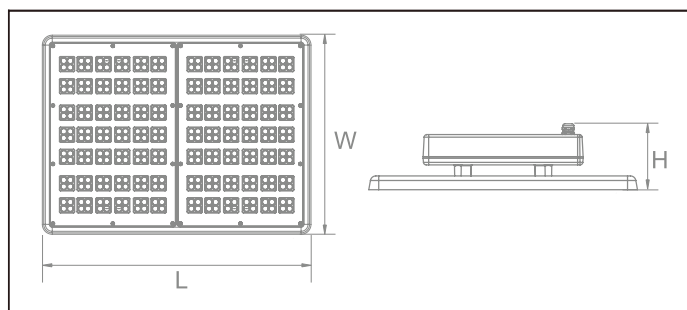


160LM/W

Features

- Housing: Pure Aluminum
- Thermal Conductivity: 226 W/m·K
- Led: CREE JK 3030
- CRI: Ra>80
- SDCM: <6
- Power Factor: >0.95
- THD: <15
- Driver: Meanwell
- Driver Efficiency: >93%
- Protection: OTP, OCP, OVP, SCP
- Surge Protection: 10KV
- Waterproof: IP65
- Impact Test: IK10
- Electrical: 220-240V, 50/60Hz
- Operating Temperature: -40~50°C
- Tm21: L90B10>50,000H
- Lifetime: 50,000H

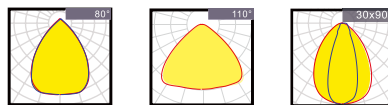
CM



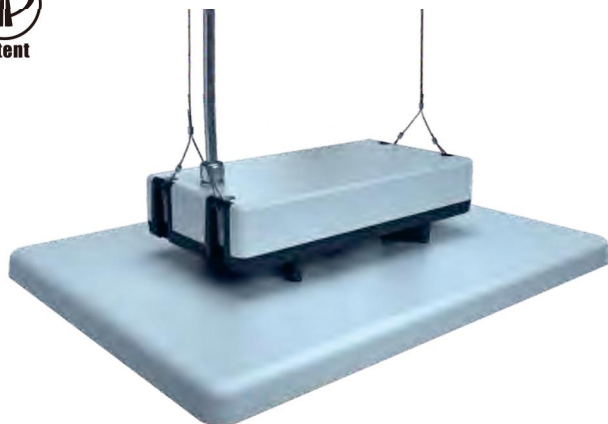
Functions

ZigBee · PWM · DALI · 0/1~10V · Micro-wave

Optical options:



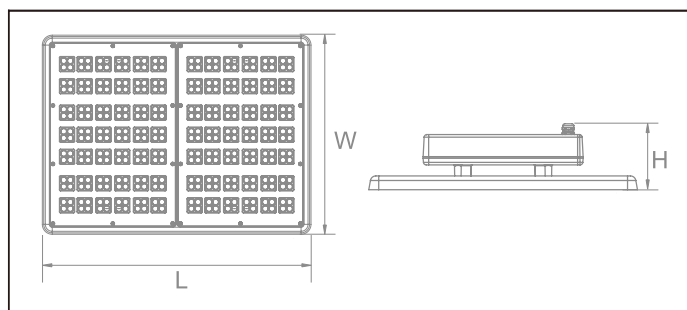
Model	Watt	Voltage	Lumen	CRI	IP	Dimension
HB060ME2I-CM	60W	100~277V	9600LM	>80	IP65	L362*W257*H120MM
HB100ME2I-CM	100W	100~277V	16000LM	>80	IP65	L362*W257*H120MM
HB120ME2I-CM	120W	100~277V	19200LM	>80	IP65	L415*W310*H120MM
HB150ME4I-CM	150W	100~277V	24000LM	>80	IP65	L487*W362*H120MM
HB200ME4I-CM	200W	100~277V	32000LM	>80	IP65	L487*W362*H120MM
HB300ME6I-CM	300W	100~277V	48000LM	>80	IP65	L720*W365*H130MM



160LM/W

Features

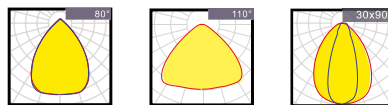
- Housing: Pure Aluminum
- Thermal Conductivity: 226 W/m·K
- Led: Philips
- CRI: Ra>8
- SDCM: <6
- Power Factor: >0.95
- THD: <15
- Driver: Sosen
- Driver Efficiency: >93%
- Protection: OTP, OCP, OVP, SCP
- Surge Protection: 4KV
- Waterproof: IP65
- Impact Test: IK10
- Electrical: 100-277V, 50/60Hz
- Operating Temperature: -40~50°C
- Tm21: L90B10>50,000H
- Lifetime: 50,000H



Functions

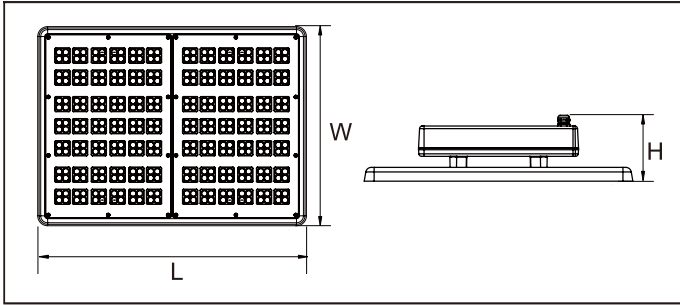
ZigBee · PWM · DALI · 0/1~10V · Micro-wave

Optical options:



Model	Watt	Voltage	Lumen	CRI	IP	Dimension
HB100ME2I-PY	100W	100~277V	16000LM	>80	IP65	L362*W257*H120MM
HB120ME2I-PY	120W	100~277V	19200LM	>80	IP65	L415*W310*H120MM
HB150ME4I-PY	150W	100~277V	24000LM	>80	IP65	L487*W362*H120MM
HB200ME4I-PY	200W	100~277V	32000LM	>80	IP65	L487*W362*H120MM
HB300ME6I-PY	300W	100~277V	48000LM	>80	IP65	L720*W365*H130MM
HB360ME6I-PY	360W	100~277V	54000LM	>80	IP65	L720*W365*H130MM

Packing



Model	L*W*H (mm)	Outer Carton(mm)			QTY/CTN	NW/CTN(kg)	GW/CTN(kg)
HB060ME2F	362*257*120	460	330	175	1	4.1	4.5
HB100ME2F	362*257*120	460	330	175	1	4.1	4.5
HB150ME2F	487*362*120	500	385	175	1	4.4	5.0
HB200ME4F	487*362*120	560	430	175	1	5.8	6.5
HB300ME6F	720*365*130	820	445	195	1	7.5	8.7
HB360ME6F	720*365*130	820	445	195	1	7.5	8.7