



SP01 Index

Modular LED Stadium Light
Easy to DIY & Refresh & Maintenance

400W, 800W, 1200W, 1600W, 1800W



IP66



IK08



1-10V



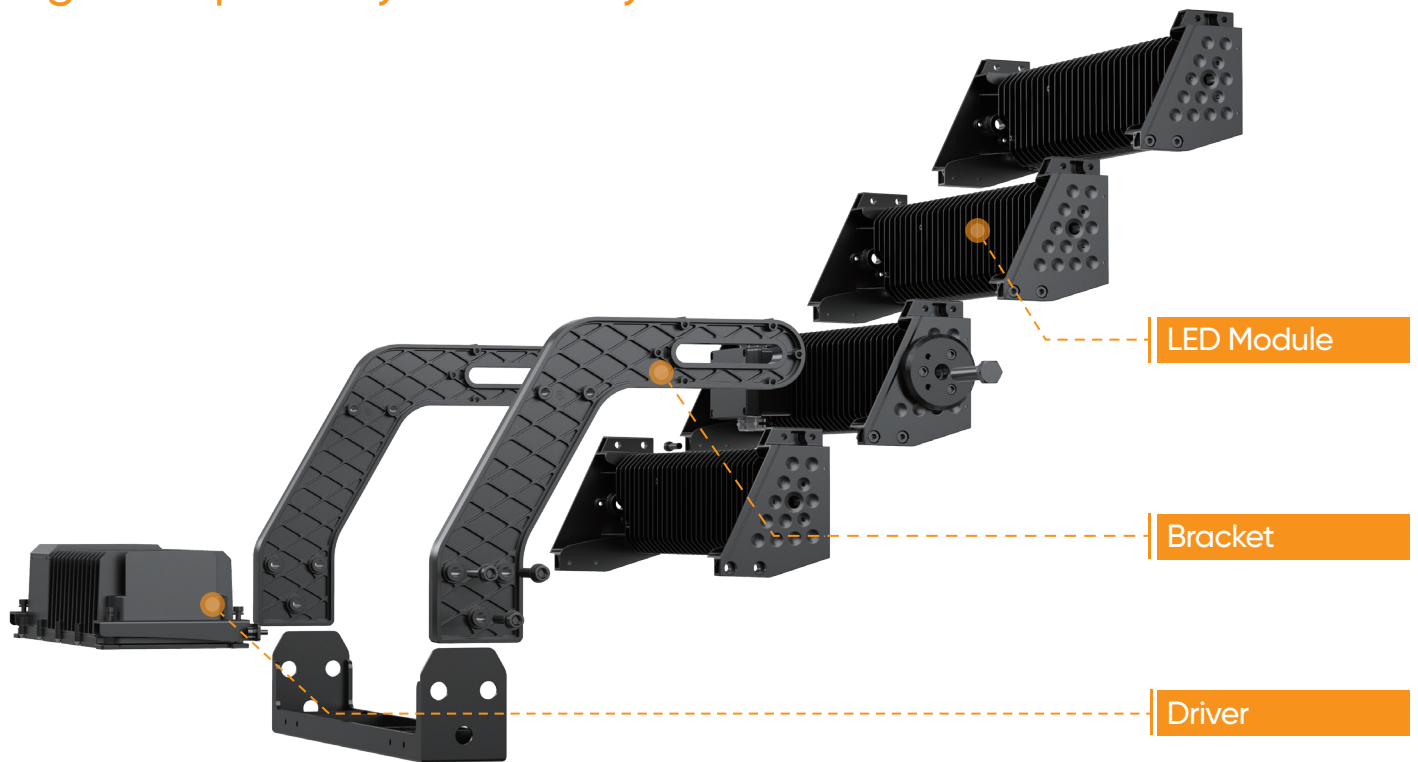
10-20KV



Corrosion
resistance

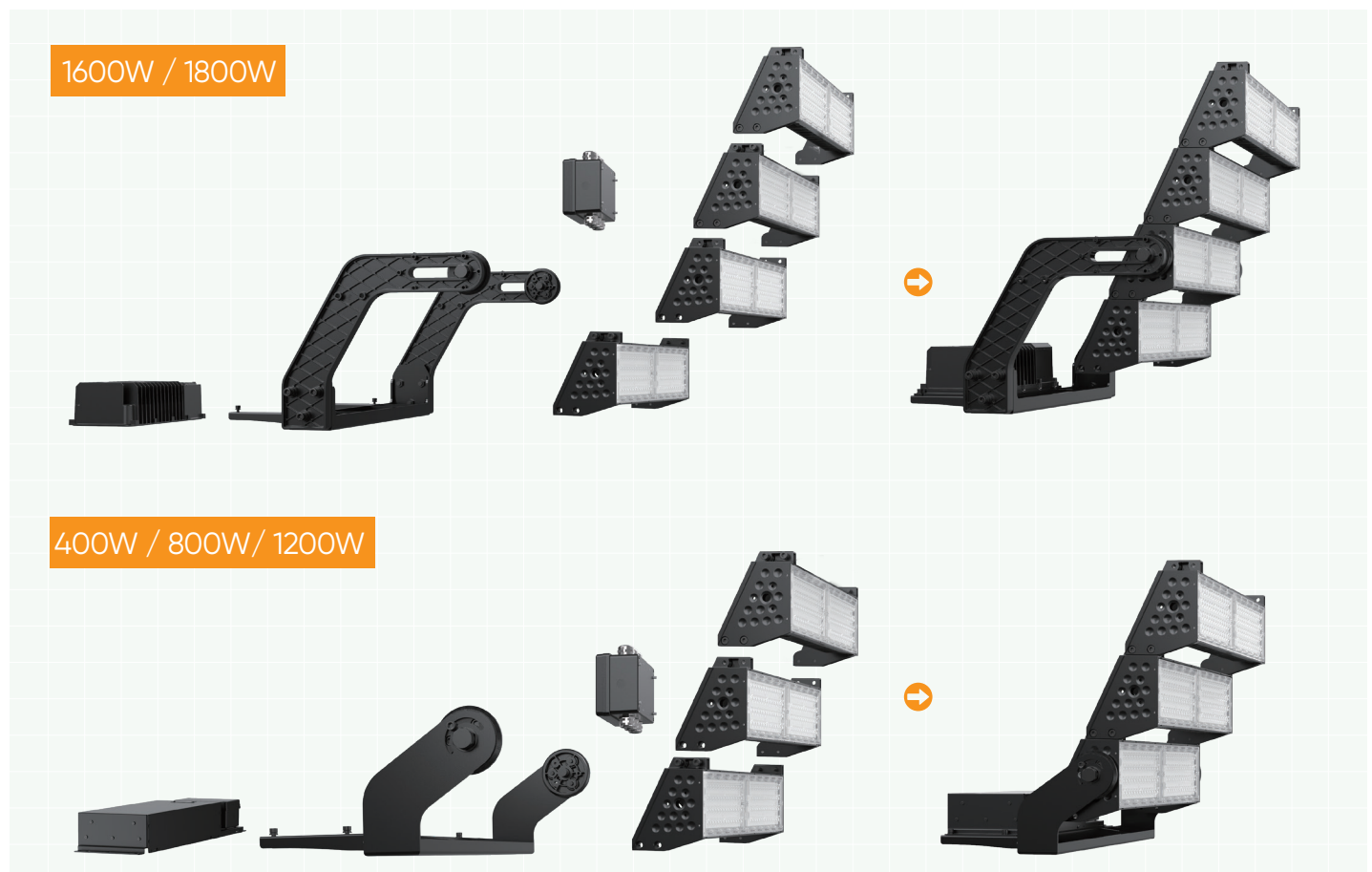


High Compatibility & Flexibility



Save SKU & Fast Delivery Time

Modular design in 1,2,3 or 4, available for different power from 400W to 1800W. Each module is 400W. Easy to assemble makes it possible to DIY floodlights for projects.





Create Entertainment & Enjoy Experience

Perfect stadium lighting system not only ensures the visibility and high definition of the gaming scene but also helps stimulate the entertainment enthusiasm of spectators, photographers, and fans who are in front of the TV to satisfy their viewing experience. SP01 scores 90+ on the TLCl. It provides to the camera the real color of the athletes or of the illuminated scene to optimise TV viewing.



Stadium



Recreational



Multi-sports



Swimming pools



Airports

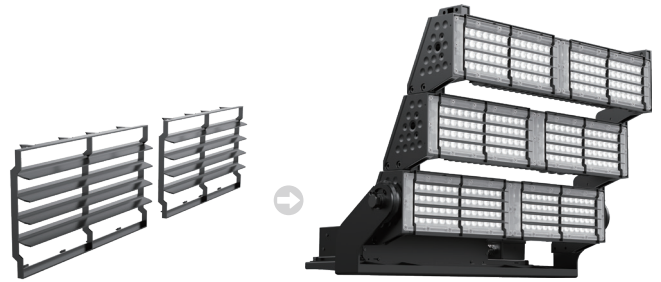


Container terminal

Control Well on Glare & Spill Light



Adjustable visor:
Avoiding up lighting pollution and spill light



Anti-glare grid: Reducing glare



Wasted light
<10lux

SP01
Being friendly to residential area

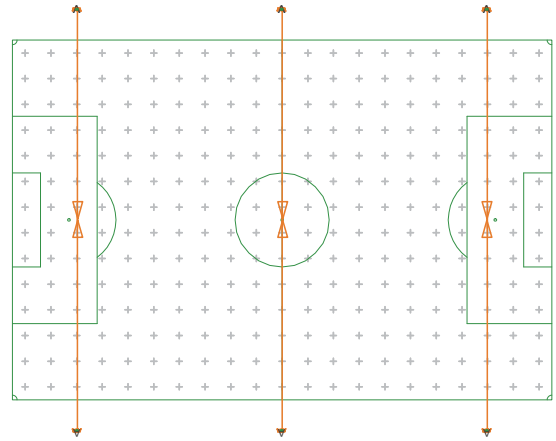
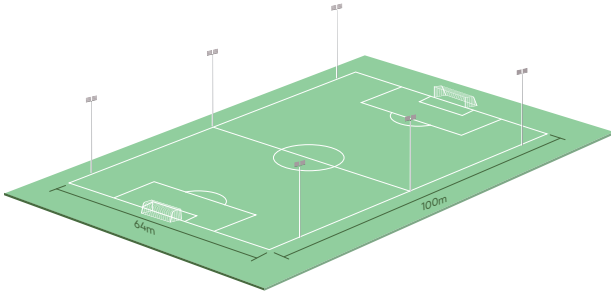


Non-professional LED light
Lighting wasted and light pollution

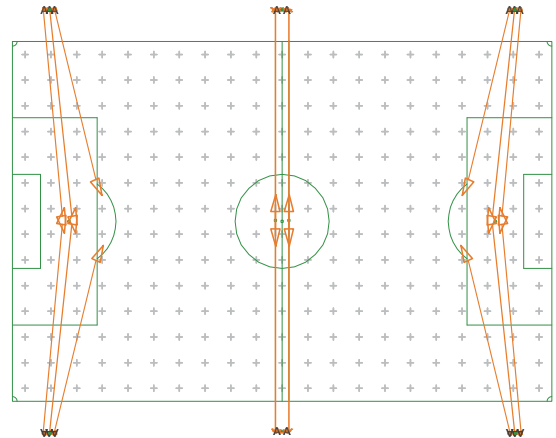
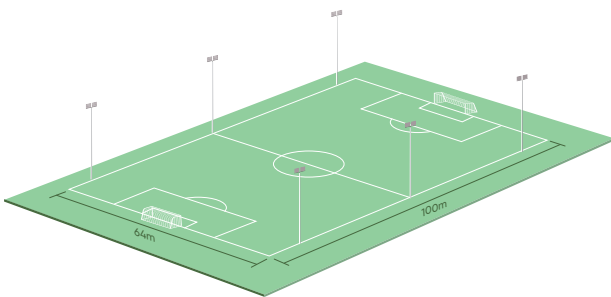
Light Where You Need It

Precise optic design, equipped with symmetric and asymmetrical beam angle. Focusing illuminate on the intended area and minimize scatter light reaching neighboring building, so that players and spectators are not dazzled.

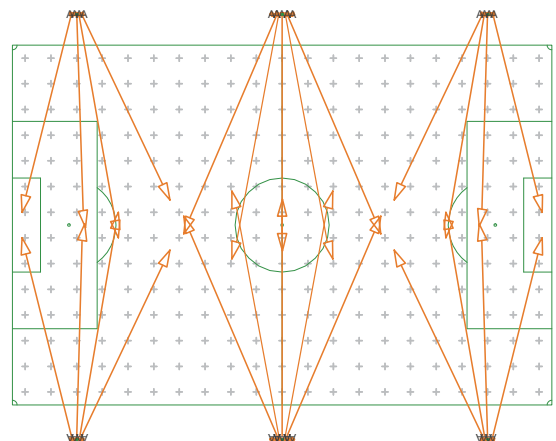
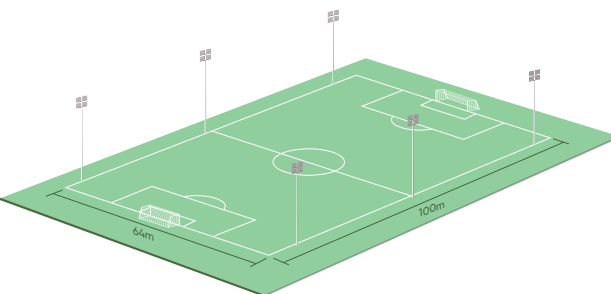
Poles	6 x 16 m		
Floodlight	6pcs SP01-1K2-5070-F05607+H26		
Eave (PA)	76 Lux		
Emin/Eave	0.78	GR Max	45
Emin/Emax	0.67	ULR	0.0%
RA	70	MF	0.8



Poles	6 x 16 m		
Floodlight	16pcs SP01-1K2-5070-F05607		
Eave (PA)	212 Lux		
Emin/Eave	0.85	GR Max	46
Emin/Emax	0.68	ULR	0.5%
RA	70	MF	0.8

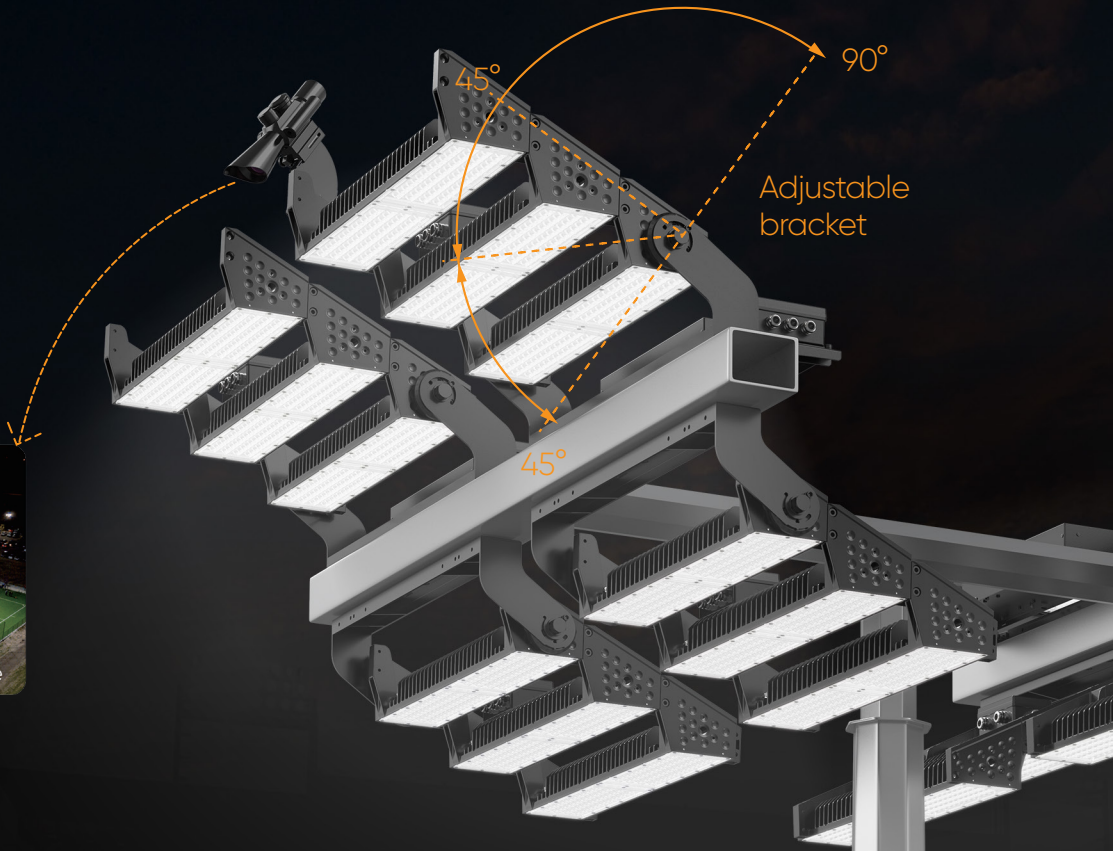


Poles	6 x 16 m		
Floodlight	16pcs SP01-1K8-5070-F05605 10pcs SP01-1K8-5070-F05607		
Eave (PA)	505 Lux		
Emin/Eave	0.74	GR Max	45
Emin/Emax	0.61	ULR	0.0%
RA	70	MF	0.8



To Make Precise Lighting

SP01 Index support rotates with infinite adjustment, used in conjunction with a sight to achieve precise lighting and realize the requirement of the projects.

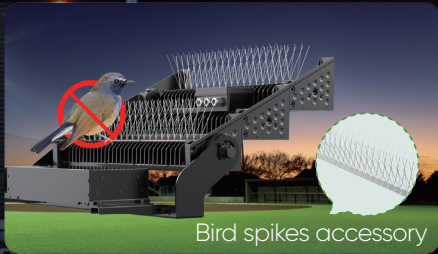


Aiming device

Free Maintenance

Bird spikes solution:

Bird spike accessories are a harmless, low-cost, sustainable solution to protecting light fixtures

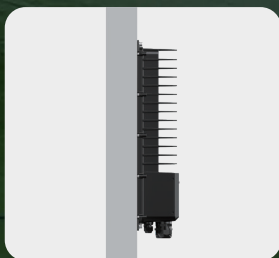


Bird spikes accessory

Flexible driver installation:



Clamp bracket mount



Wall mount



Hook mount in the pole



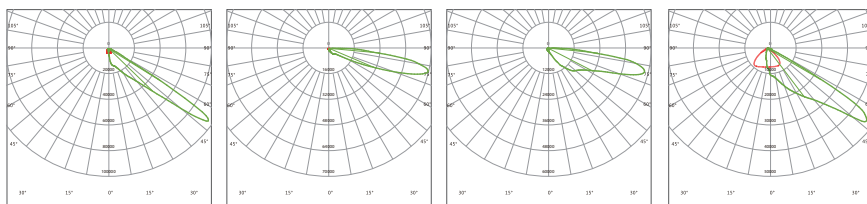
Fixed into cabinet

SP01 Product Range

Model No	SP01-400	SP01-800	SP01-1K2	SP01-1K6	SP01-1K8
Power Consumption (±5%)	400W	800W	1200W	1600W	1800W
Input Voltage	220-240 VAC, 50 / 60 Hz			200-420VAC, 50/60 Hz	
Control	1-10V dimmable, DALI, DMX control				
LED Type1	LED 3737				
Luminous Flux (120lm/W)	48000lm	96000lm	144000lm	192000lm	234000lm
Efficacy (5000K Ra70)	120lm/W				130lm/W
Beam Angle	F05601X, F05602X, F05603X, F05605X, F05606X, F05607X, F05610X				
LED Type2	LED 5050				
Luminous Flux (120lm/W)	56000lm	112000lm	1168000lm	224000lm	270000lm
Efficacy (5000K Ra70)	140lm/W				150lm/W
Beam Angle	F05601Z, F05605Z, F05606Z, F05607Z				
CCT & CRI	5000K (3000K, 4000K, 5700K optional) Ra70 (Ra80, RA90optional)				
Protection Rating	IP66, IK08				
Operating Temperature	-30°C to + 50°C				
Warranty	5 Years				
Product Dimension	Vertical: 702x294x219mm Horizontal: 702x334x222mm	Vertical: 702x416x370 Horizontal: 702x536x294mm	Vertical: 702x486x515mm Horizontal: 702x681x369mm	Vertical: 756x723x648mm Horizontal: 756x913x538mm	Vertical: 756x794x829mm Horizontal: 756x1054x607mm
Luminaire Net Weight	Lamp body: 6.3kg Driver box: 3.6kg	Lamp body: 13.0kg Driver box: 5.4kg	Lamp body: 16.7kg Driver box: 6.6kg	Lamp body: 26.3kg Driver box: 6.0kg	Lamp body: 30.0kg Driver box: 6.0kg

Photometric Diagrams

LED3737:

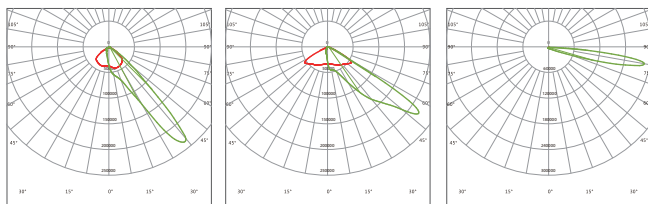


F05601X

F05602X

F05603X

F05605X

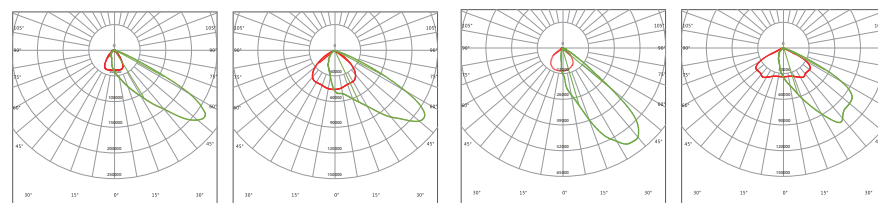


F05606X

F05607X

F05610X

LED5050:



F05601Z

F05605Z

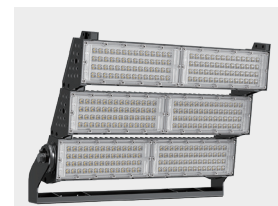
F05606Z

F05607Z

Mounting Options



Bracket mounting



Bracket mounting