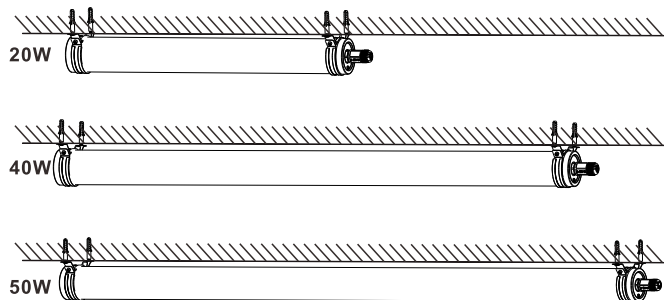


LED Tubular Light

Installation Instructions

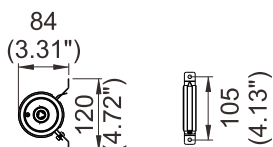
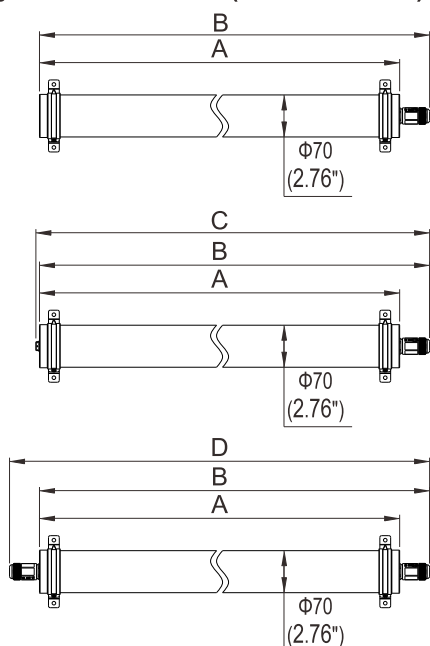


Packing List	
	2pcs
	4pcs
	4pcs

100-277VAC/
220-240VAC
50/60Hz

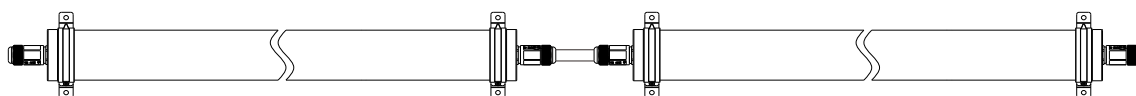


Physical Dimensions(Unit: mm/inch)



A-Length of the body;
B-Length of the body with single connector;
C-Length of the body with single connector and vent;
D-Length of the body with double connectors.

POWER	A(mm/in)	B(mm/in)	C(mm/in)	D(mm/in)
20W	600(23.62")	650(25.59")	656(25.83")	700(27.56")
40W	1128(44.41")	1178(46.38")	1184(46.61")	1228(48.35")
50W	1390(54.72")	1440(56.69")	1446(56.93")	1490(58.66")



Carrying capacity of the breaker(100-277V)

Power \ Breaker	B16	B25	B60(Max)	C16	C25	C60(Max)
20W	24PCS	37PCS	72PCS	41PCS	62PCS	72PCS
40W	24PCS	33PCS	33PCS	33PCS	33PCS	33PCS
50W	24PCS	27PCS	27PCS	27PCS	27PCS	27PCS

Carrying capacity of the breaker(220-240V)

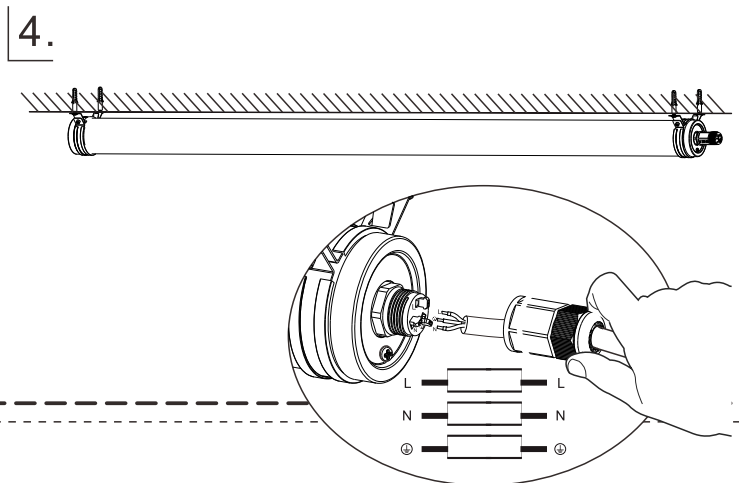
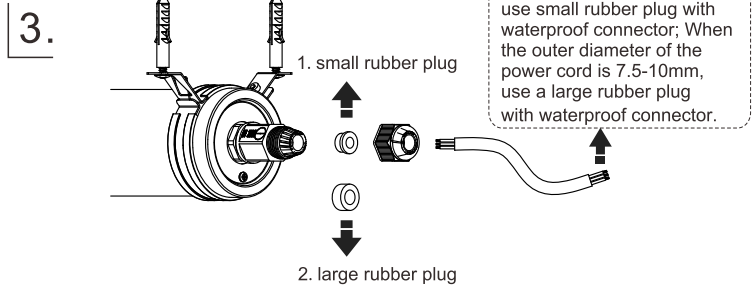
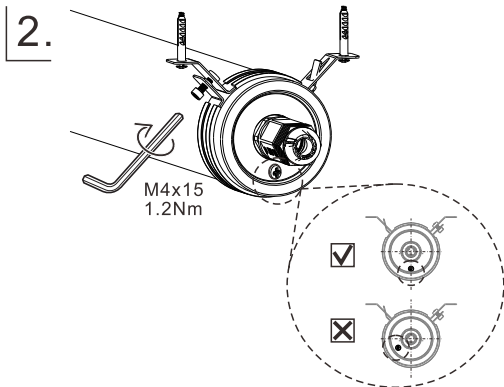
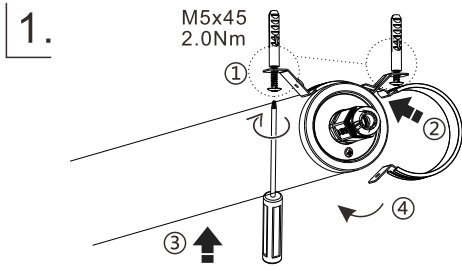
Power \ Breaker	B16	B25	B60(Max)	C16	C25	C60(Max)
20W	10PCS	15PCS	30PCS	20PCS	26PCS	30PCS
40W	20PCS	31PCS	33PCS	34PCS	34PCS	34PCS
50W	11PCS	17PCS	27PCS	18PCS	27PCS	27PCS

When using three phase electricity, the qty of spliced fixtures can be 3 times of that using single phase.
Above info is just for reference, in practice please also consider the difference of the breaker of different brands/items.

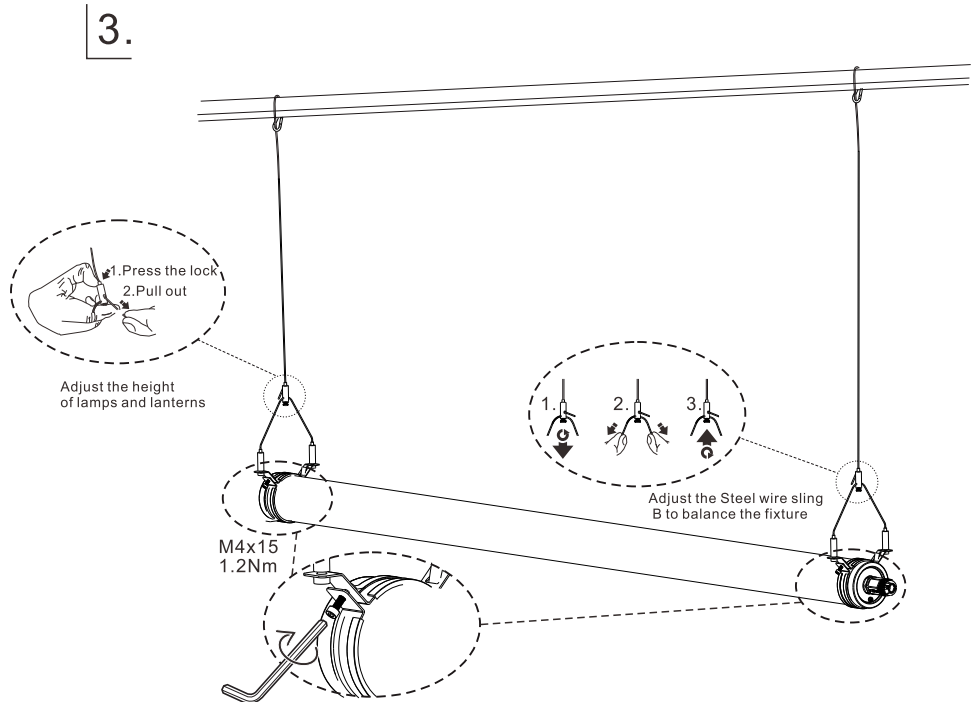
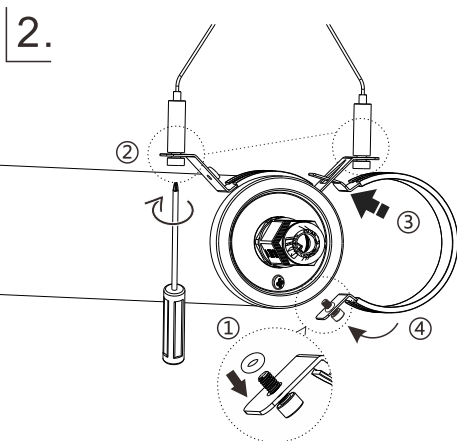
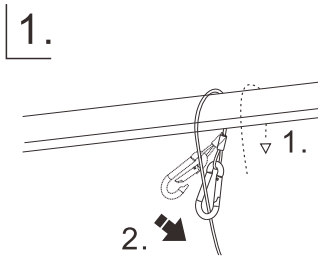
LED Tubular Light

Installation Instructions

A. Ceiling mounting



B. Suspension mounting(optional)



AC cords

L	brown		black
N	blue		white
⊕	yellow/green		green

DIM cords

Note: color for dim cords subject to the cable label on luminaire



Warning! Do not wire dim cord to high voltage, or dim function will fail.

·if the external flexible cable or cord of this luminaire is damaged, it shall be exclusively replaced by the manufacturer or his service agent or a similar qualified person in order to avoid a hazard.