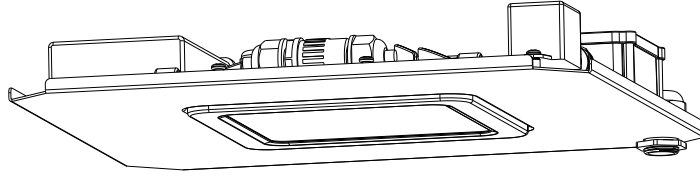


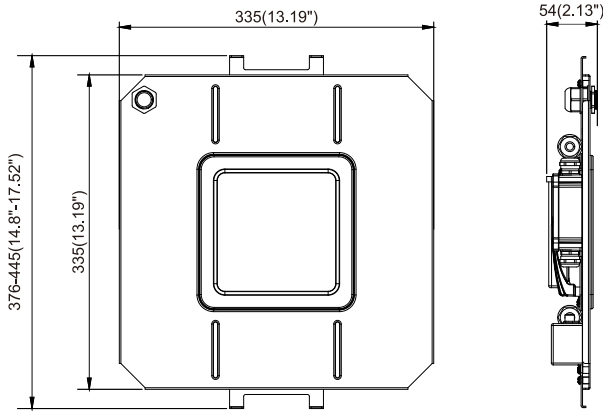
# LED Retrofit Kit

## Installation Instructions

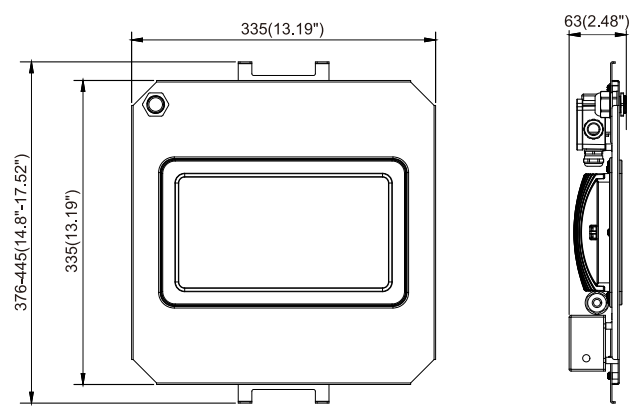


### Physical Dimensions(Unit: mm/inch)

40W



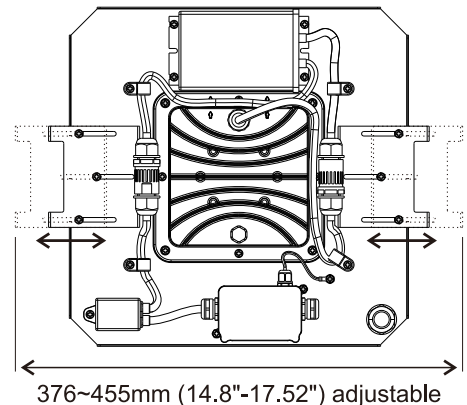
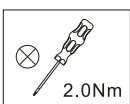
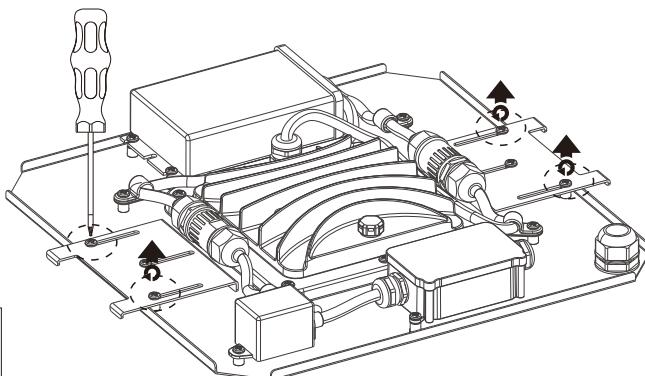
60W/80W



Product Specifications	40W	60W	80W
Input Voltage	100-277VAC / 120-277VAC / 100-240VAC / 220-240VAC (Subject to the input voltage on nameplate)		
Power Frequency	50 / 60 Hz		
Outlook Dimensions	376x335x54mm (14.8"x13.19"x2.13")	376x335x63mm(14.8"x13.19"x2.48")	
Luminaire Net Weight	2.6±0.3kg (5.73±0.66Lbs)	3.3±0.3kg(7.28±0.66Lbs)	
Working Temperature	-30°C to +50°C(-22°F to +122°F)		
Storing Temperature	-40°C to +70°C(-40°F to +158°F)		

### Installation

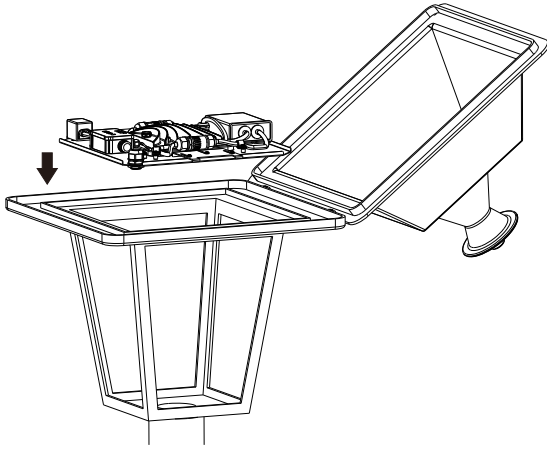
- Loosen the screws till the brackets can be easily slid.



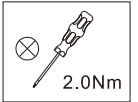
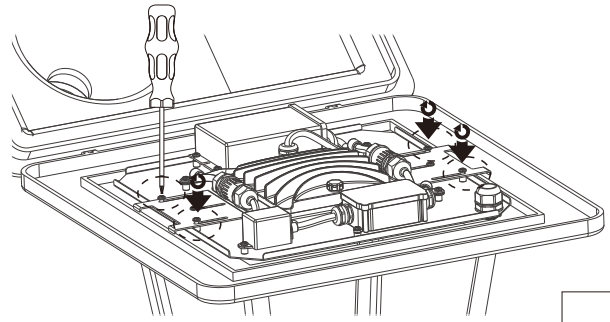
# LED Retrofit Kit

## Installation Instructions

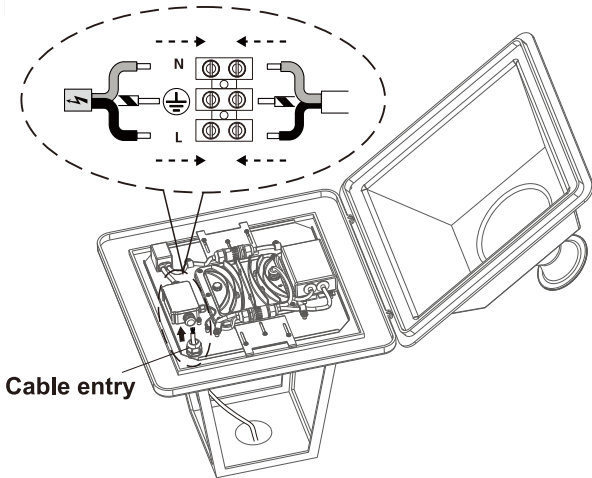
2. ✖



Fasten the screws

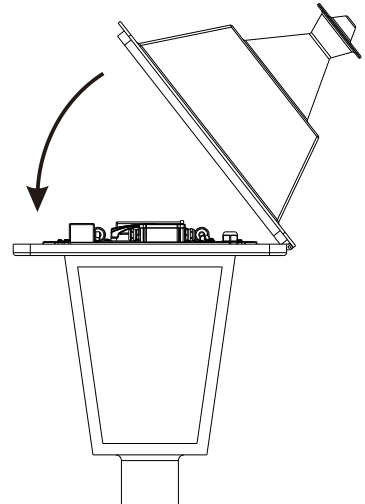


3. ✖

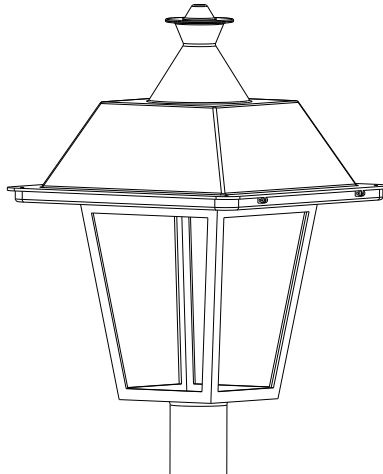


Cable entry

4. ✖



5. ✖



### Dimmable

<p>⊙ DIM+/DA1 purple or purple or blue or brown or black or red</p> <p>⊙ DIM-/DA2 gray or pink or white or blue or gray or orange</p>	<p>⊙ DIM+/DA1 purple or purple or purple or purple</p> <p>⊙ DIM-/DA2 gray or pink or gray or pink</p> <p>Aux 12Vdc + pink or black/white or black/white or red</p>	<p>⊙ DIM+/DA1 purple or purple or purple</p> <p>⊙ DIM-/DA2 gray or pink or pink</p> <p>Aux 12Vdc + pink or black/white or black/white</p> <p>Aux 12Vdc - black/white or blue/white or orange</p>	<p>⊙ L brown black</p> <p>⊙ N blue white</p> <p>⊙ GND yellow/green green</p> <p>⊙ L brown black or black black or black black</p> <p>⊙ N blue white or white white or white white</p> <p>⊙ GND yellow/green or green green or green green</p> <p>⊙ DIM+/DA1 black or red or brown</p> <p>⊙ DIM-/DA2 gray or orange or blue</p>
---	--	--	--



Warning! do not wire dim cord to high voltage, or dim function will fail.

- Please make sure the luminaire is properly grounded.
- The light source contained in this luminaire shall only be replaced by the manufacturer or his service agent or a similar qualified person.
- For type Y attachments: if the external flexible cable or cord of this luminaire is damaged, it shall be exclusively replaced by the manufacturer or his service agent or a similar qualified person in order to avoid a hazard.