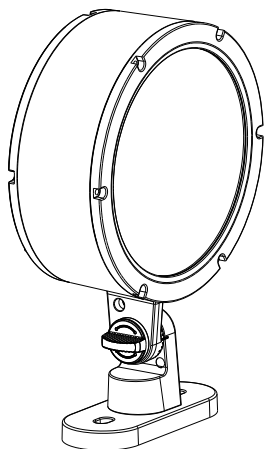
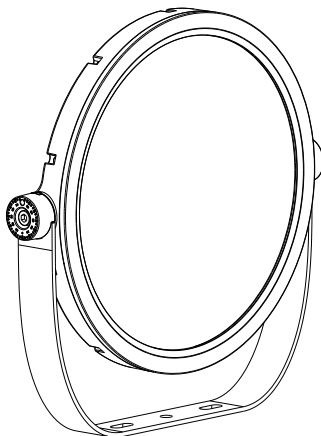


# LED Landscape Light(DC input)

## Installation Instructions



35W



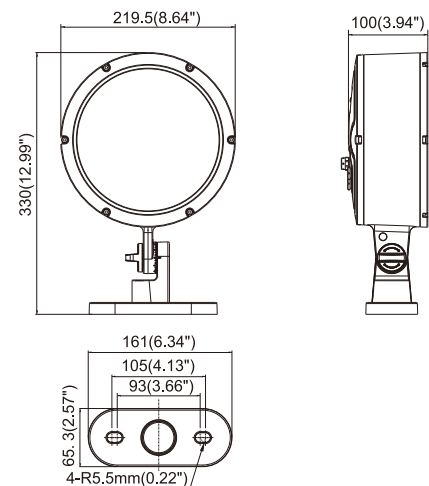
100W/150W

Packing List	
Safety Rope	1 PC

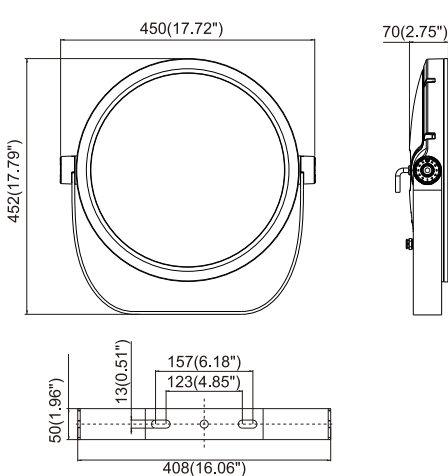


## Physical Dimensions(Unit: mm/inch)

35W

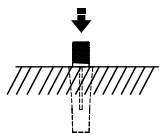


100W/150W



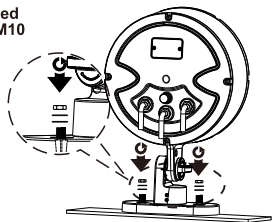
## Mounting

1. ✖



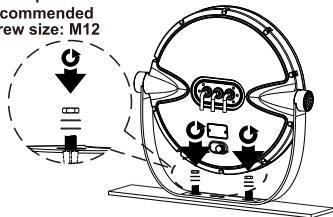
2. ✖ **35W**

Mounting height of the lamp should not exceed 15m.  
Recommended screw size: M10



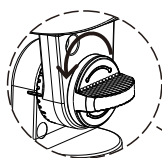
**100W/150W**

Mounting height of the lamp should not exceed 15m.  
Recommended screw size: M12

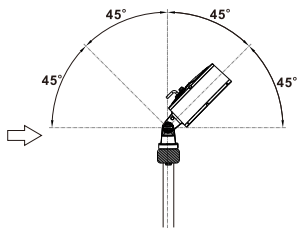
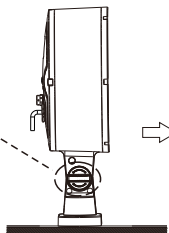


## Rotation angle

When adjusting the angle, please hold the lamp body by hand to prevent it from falling.



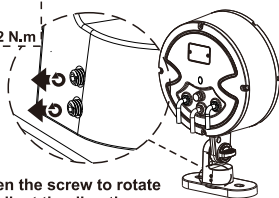
Loosen here to adjust the angle.



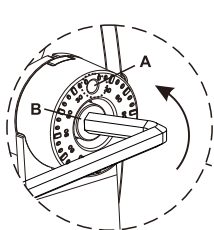
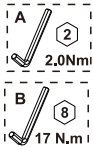
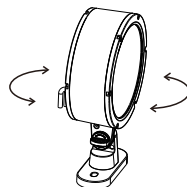
**35W**

2

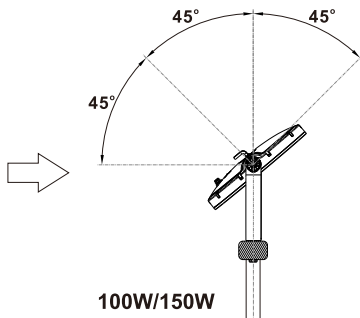
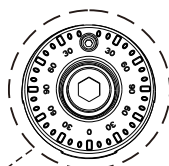
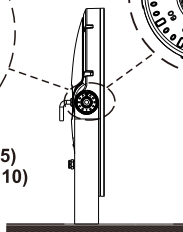
1.2 N.m



Loosen the screw to rotate and adjust the direction.

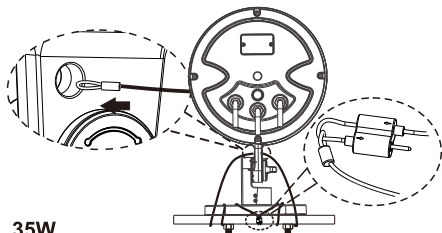


1. Loosen screw A (M5)
2. Loosen screw B (M10)
3. Adjust the angle

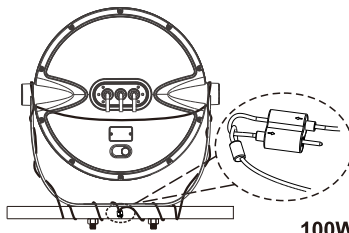


**100W/150W**

## Safety rope installation



**35W**



**100W/150W**

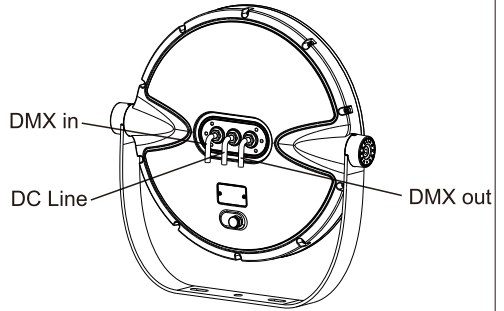
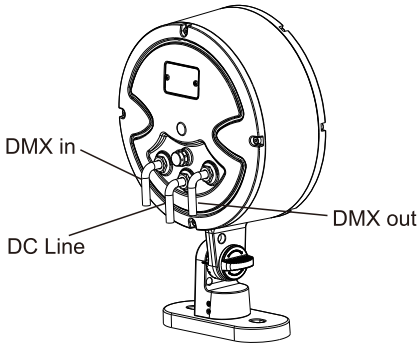
## DMX512 Control

Factory default mode for DMX control :

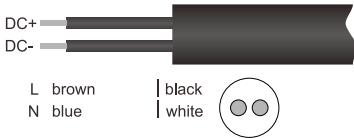
Default address is the same for each luminaire. Take RGBW version for example, there are 4 addresses for each luminaire, that is address 1 for R; 2 for G; 3 for B; 4 for W. When turn on the luminaire, the four colors light up together without flashing if no input signal is detected about 10 seconds later.

35W

100W/150W

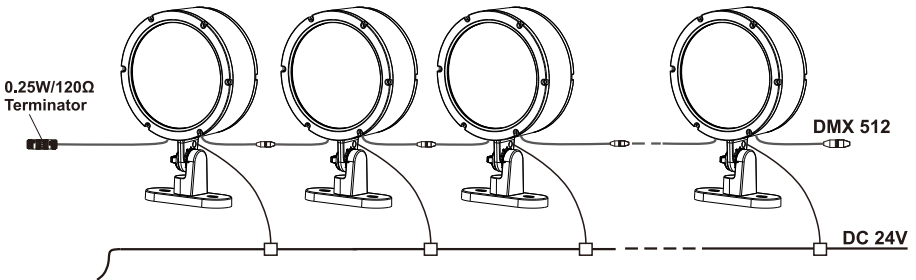


### DC Line

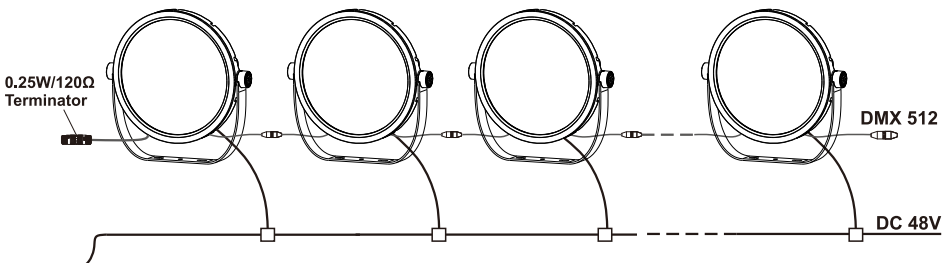


Please connect a signal amplifier every 100 meters or every 32 lights.

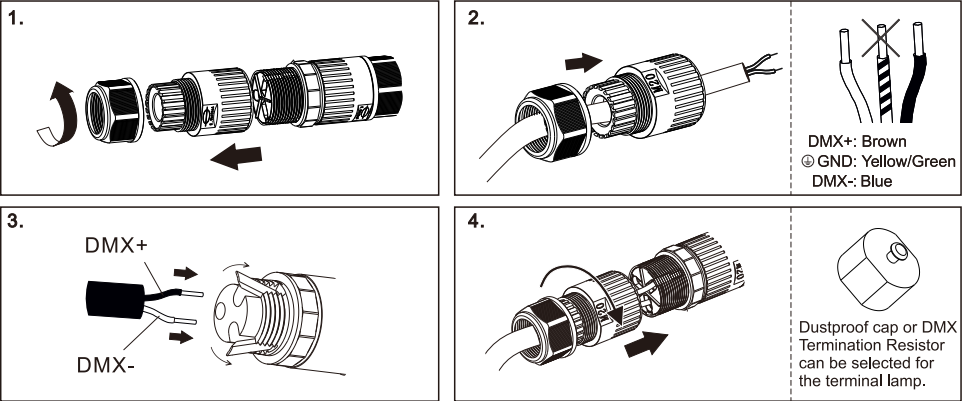
35W



100W/150W

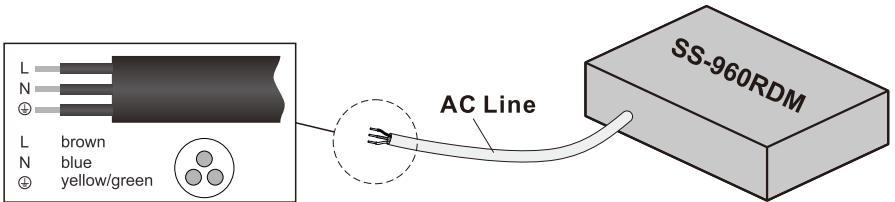


\* It is recommended to add 0.25W/120Ω DMX Termination Resistor at the end of each string of luminaires.



### SS-960RDM(Optional)

The DMX controller needs to be purchased separately. We suggest buy our SS-960RDM controller if you need to change the DMX address settings.

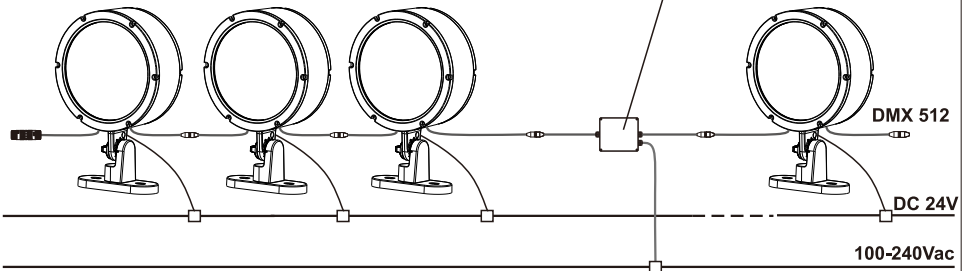
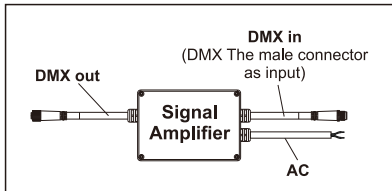


### Signal Amplifier(Optional)

It is suggested to connect a signal amplifier every 100 meters or every 32 lights, which can improve the signal stability. If RDM controller is used instead of DMX512 controller, the signal amplifier must be compatible with RDM controller, better to purchase from us directly.

Signal line reversed connection will cause following defects:

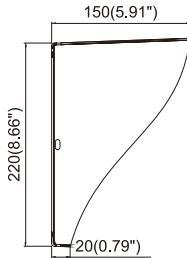
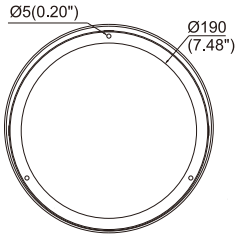
1. The luminaire is not controlled.
2. The luminaire keeps flickering.



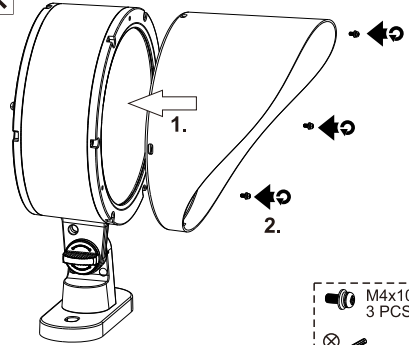
## Visor Installation(Optional accessories)

Visor Dimensions(Unit: mm/inch)

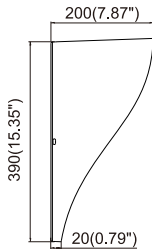
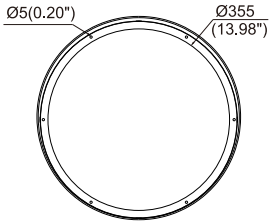
35W



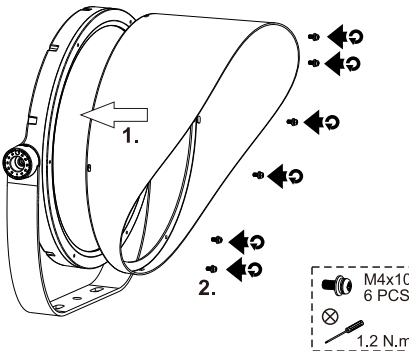
1. ✖



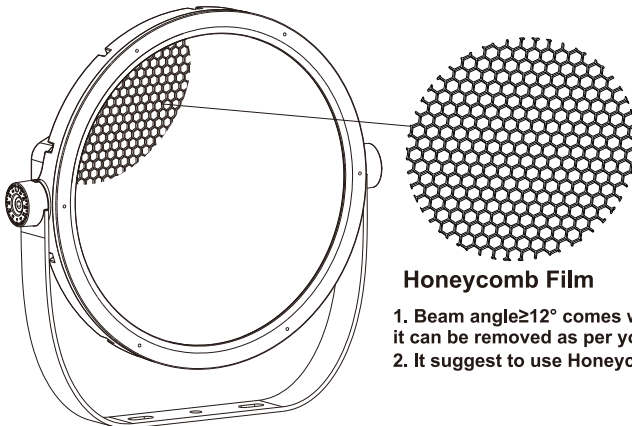
100W/150W



1. ✖



## Honeycomb Film(Optional accessories)



### Honeycomb Film

1. Beam angle  $\geq 12^\circ$  comes with Honeycomb film by default, it can be removed as per your request.
2. It suggest to use Honeycomb film and Visor separately.

Product Specifications	35W	100W	150W
Input Voltage	DC 24V	DC 48V	
Outlook Dimensions	219.5×330×100mm (8.64"x12.99"x3.94")	450×452×70mm (17.72"x17.79"x2.75")	
Luminaire Net Weight	3.3±0.3kg (7.28±0.66Lbs)	8±0.3kg(17.64±0.66Lbs)	
Projected Area	0.04m <sup>2</sup> (0.35ft <sup>2</sup> )	0.12m <sup>2</sup> (1.12ft <sup>2</sup> )	
Working Temperature	-30°C to +50°C(-22°F to +122°F)		
Storing Temperature	-40°C to +70°C(-40°F to +158°F)		

- **Please make sure the luminaire is properly grounded.**
- **The light source contained in this luminaire shall only be replaced by the manufacturer or his service agent or a similar qualified person.**
- **For type Y attachments:  
if the external flexible cable or cord of this luminaire is damaged, it shall be exclusively replaced by the manufacturer or his service agent or a similar qualified person in order to avoid a hazard.**