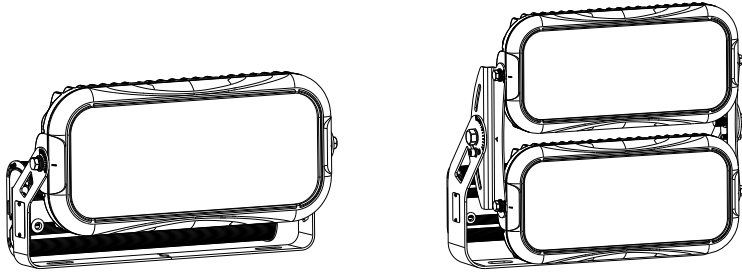


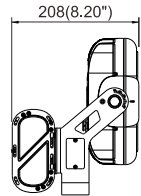
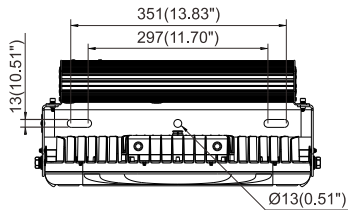
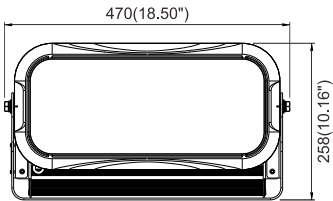
LED Landscape Light(AC Input)

Installation Instructions

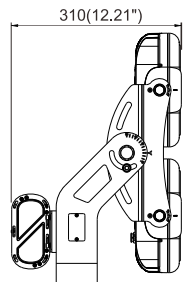
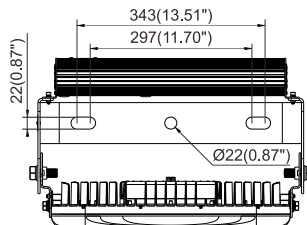
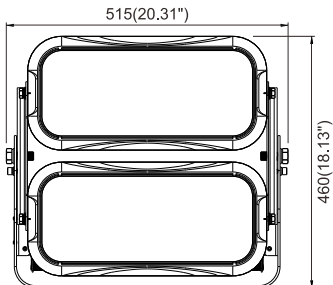


Physical Dimensions (Unit: mm/inch)

100W/150W



200W/300W



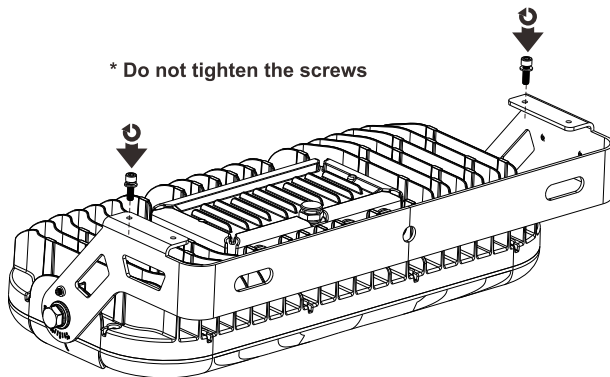
Product Specifications	100W	150W	200W	300W
Input Voltage	100-277Vac / 120-277Vac / 100-240 Vac / 220-240Vac / 120-240Vac (Subject to the input voltage on nameplate)			
Power Frequency	50/60Hz			
Outlook Dimensions	470x208x258mm(18.50"x8.20"x10.16")		515x310x460mm(20.31"x12.21"x18.13")	
Net Weight(±6%)	7.9kg(17.42Lbs)		15.9kg(35.05Lbs)	
Working Temperature	-30°C +50°C(-22°F to +122°F)			
Storing Temperature	-40°C +70°C(-40°F to +158°F)			

* Please subject to actual product for accurate weight.

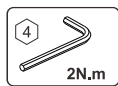
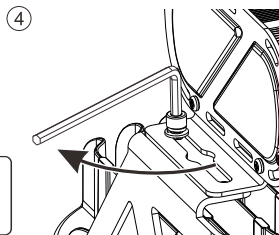
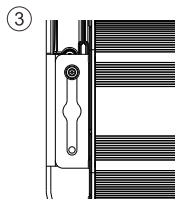
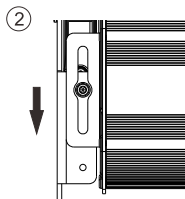
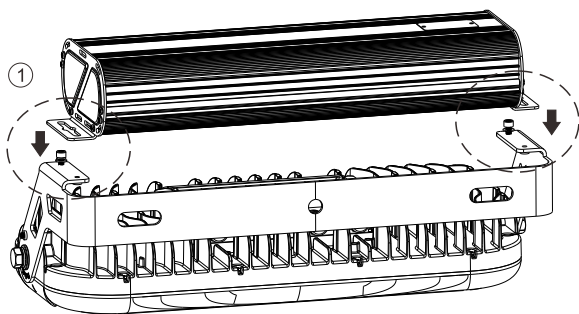
Driver Box Mount

1. ✖

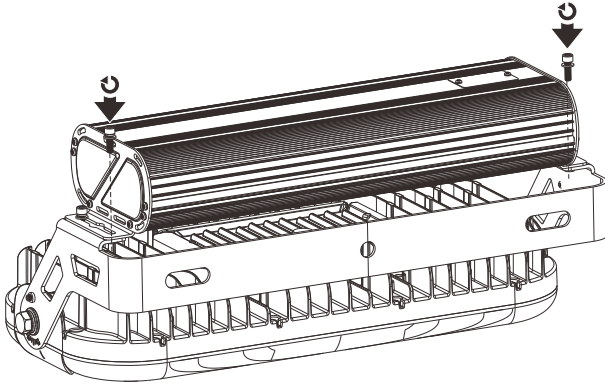
* Do not tighten the screws



2. ✖

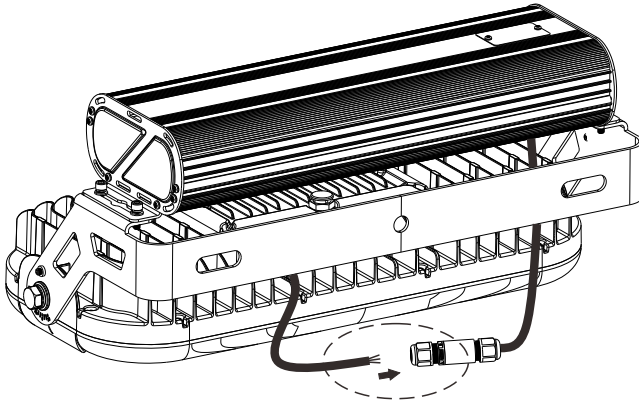


3. ✂

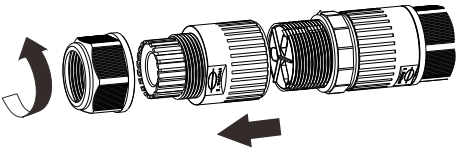


M5x16
2PCS
4
2N.m

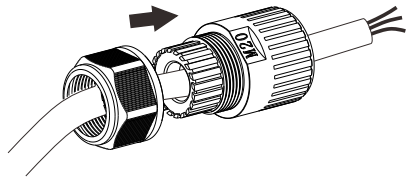
4. ✂



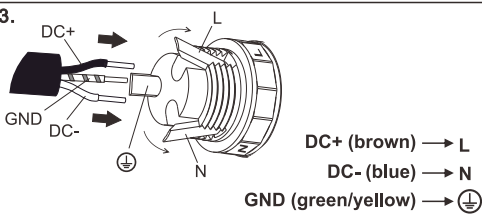
1.



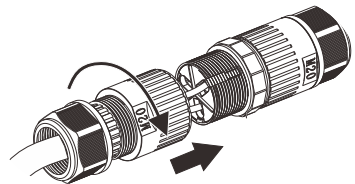
2.



3.

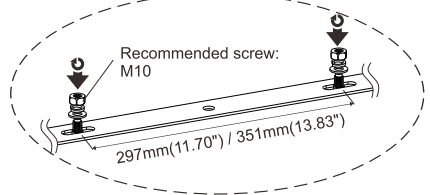
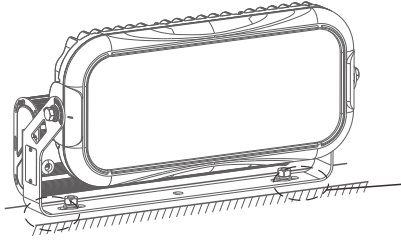


4.

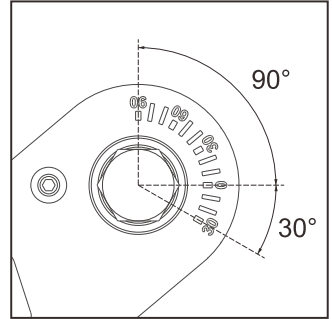
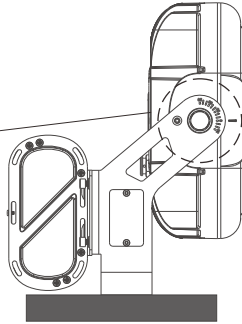
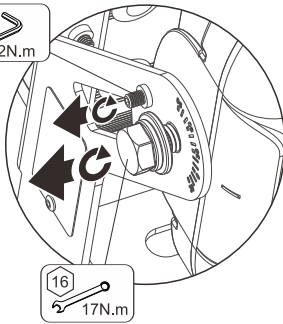


Installation

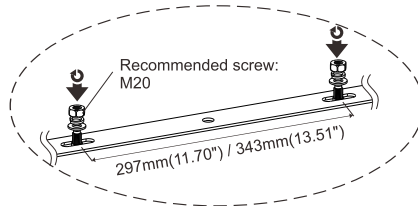
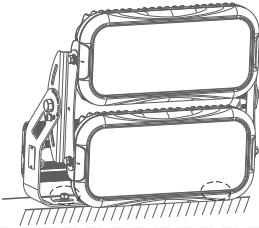
100W/150W



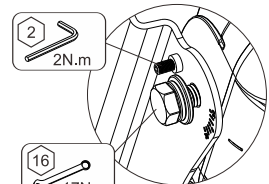
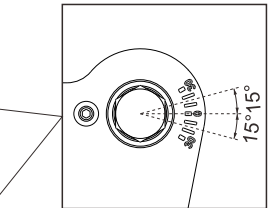
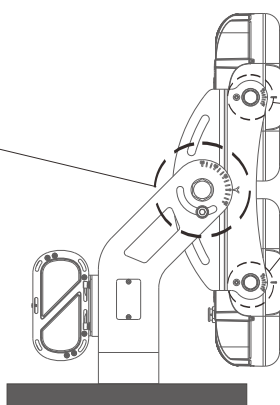
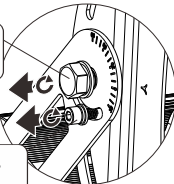
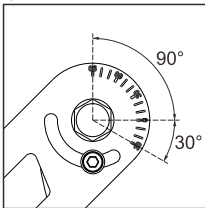
Adjustable angle



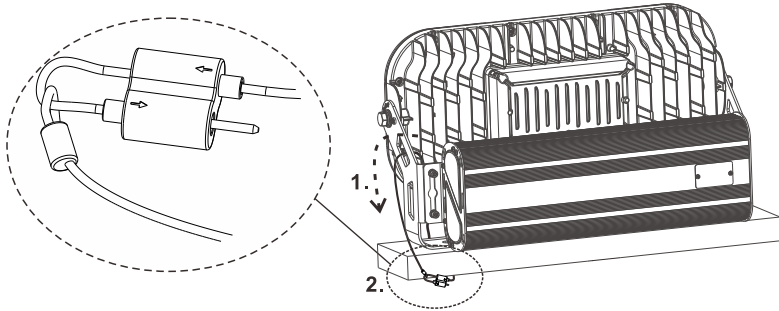
200W/300W



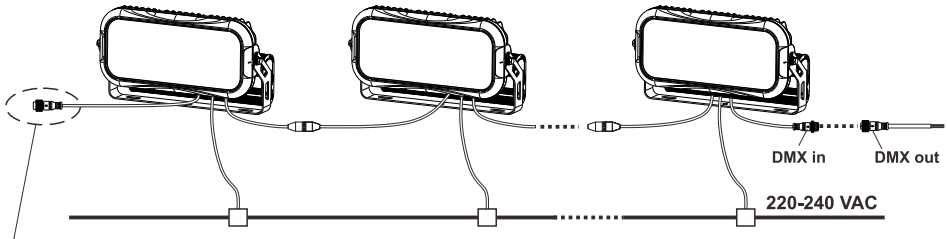
Adjustable angle



Safety Rope Installation



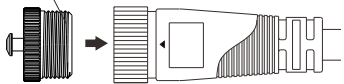
* Please select the appropriate power cord according to the total power of interconnected lamps.



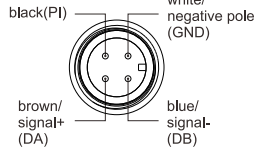
For the terminal lamp:

1. dustproof cap can be selected for insulation purpose
2. 0.25W/120Ω DMX Termination Resistor also can be selected

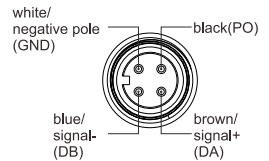
Dustproof Cap



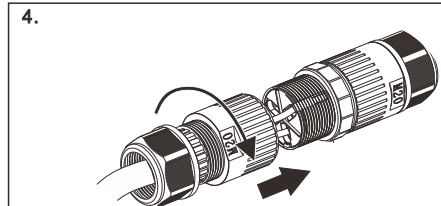
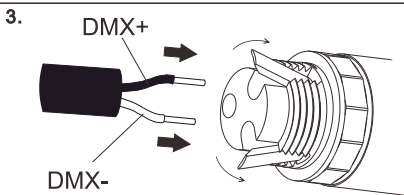
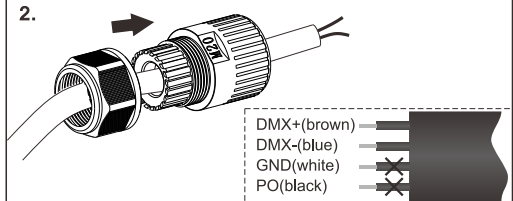
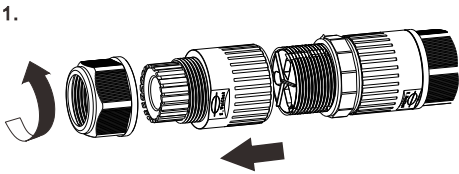
DMX in



DMX out



* It is recommended to add 0.25W/120Ω DMX Termination Resistor at the end of each string of luminaires.

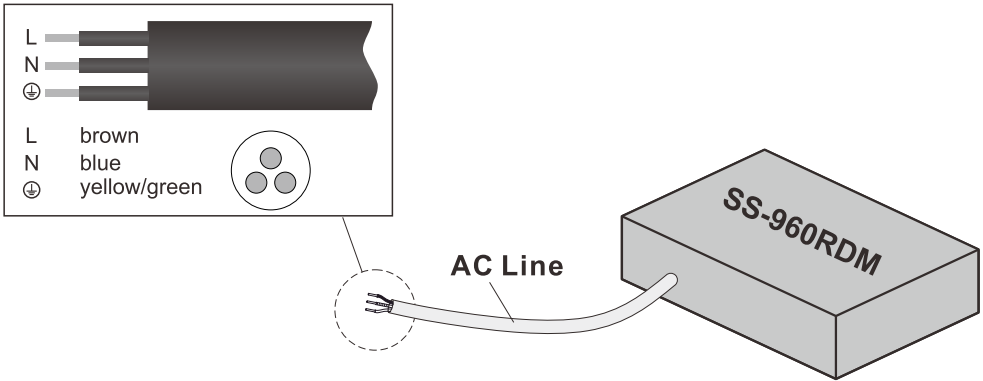


Spliceable Quantity(pcs):

	100W	150W	200W	300W
RGBW	120	120	120	120
RGB	160	160	160	160
Monocolour	160	160	160	160

DMX Controller(Optional)

The DMX controller needs to be purchased separately. We suggest our SS-960RDM controller if you need to change the DMX address settings.

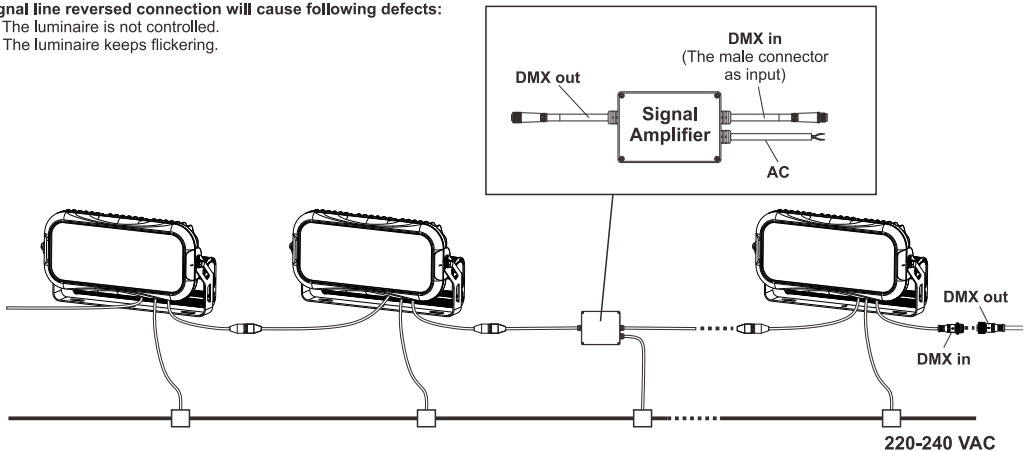


Signal Amplifier(Optional)

It is suggested to connect a signal amplifier every 100 meters or every 32 lights, which can improve the signal stability. If RDM controller is used instead of DMX512 controller, the signal amplifier must be compatible with RDM controller, better to purchase from us directly.

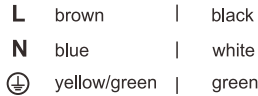
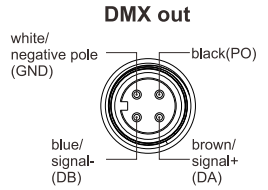
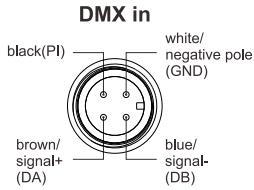
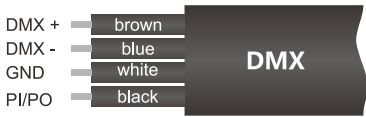
Signal line reversed connection will cause following defects:

1. The luminaire is not controlled.
2. The luminaire keeps flickering.



DMX512 Control

Factory default mode for DMX control: When turn on the luminaire, all colors light up together if no input signal is detected in 10 seconds.



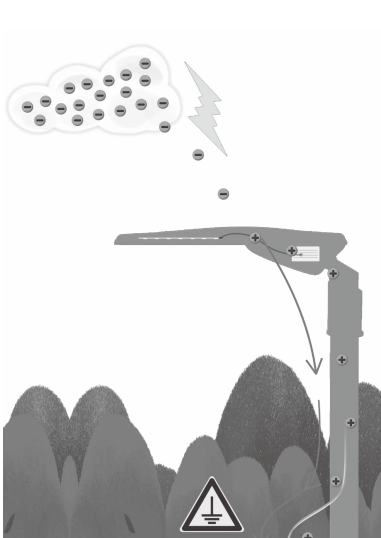
Warning! Do not wire dim cord to high voltage, or dim function will fail.

Precautions for Outdoor Lighting

Lightning is a common natural phenomenon. When the accumulation of electric charge in the thundercloud to a certain degree, air breakdown will occur to cause electrostatic discharge between the clouds, or between the cloud and the earth. Normally there are direct lightning and induction lightning, most LED luminaires damage caused by induction lightning, such as electrostatic induction or magnetic field induction.

Below pretreatment can reduce lightning hazard, and extend luminaire lifetime.

1. LED luminaire should be effectively grounded



With effective grounding, the electric charge can be introduced to ground quickly

2. Install surge protector in power distribution box



The SPD can absorb most surge energy before luminaire

Reminder

We appreciate your purchase!

Please read the entire instruction manual before installation and keep it for future reference.

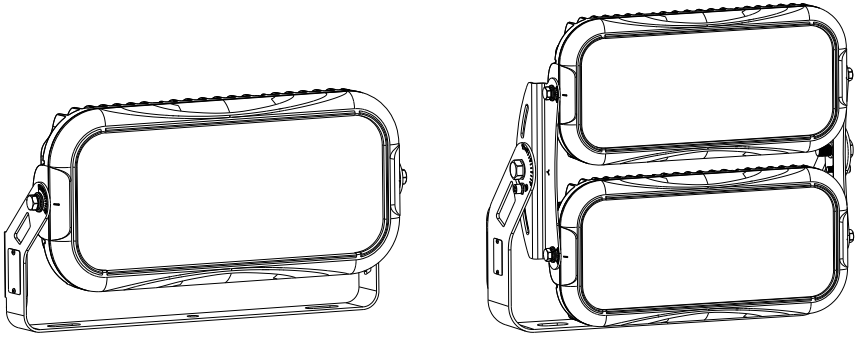
1. Please do not modify or dismantle the luminaire or replace accessories without confirming with the supplier first.
2. Please authorize only qualified personnel to install the lamp and ensure they follow the instruction manual. Any improper installation might cause falling, electric shock, fire, or other injury, damage or hazard.
3. Please disconnect power before installation or any maintenance of the lamp. Do not touch the power supply when the lamp is operating.
4. If the luminaire begins to smoke or emit odors, please disconnect power since fire or electric shock may occur. And ask qualified person to inspect and maintain the luminaire.
5. If the external flexible cable or cord of this luminaire is damaged, it shall be exclusively replaced by the manufacturer or his service agent or a similar qualified person in order to avoid a hazard.
6. The light source contained in this luminaire shall only be replaced by the manufacturer or his service agent or a similar qualified person.
7. We suggest you adding a separate surge protection device in distribution box to extend luminaire lifespan.

Applications

1. The product is designed for square, plaza, business street, park, advertising board and similar applications. For other special applications, please consult your salesperson to confirm firstly.
2. Too much dust or oil accumulation on PC lens will stop the lighting emit and heat dissipation, it will change lighting distribution, and cause high heat inside to affect LED chips performance. For such environments, we suggest you to clean the luminaire regularly to ensure longer lifespan. Or you need to use product with glass cover and better heat performance instead.
3. The suggested mounting height of the luminaire is not exceed 25m.

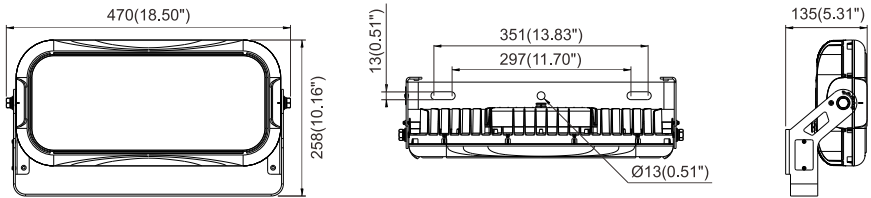
LED Landscape Light(DC Input)

Installation Instructions

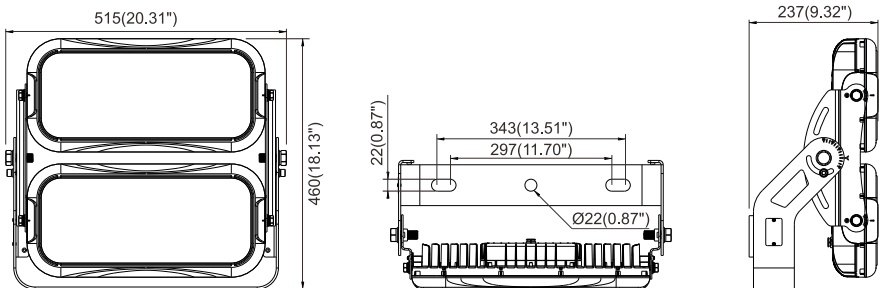


Physical Dimensions (Unit: mm/inch)

100W/150W



200W/300W

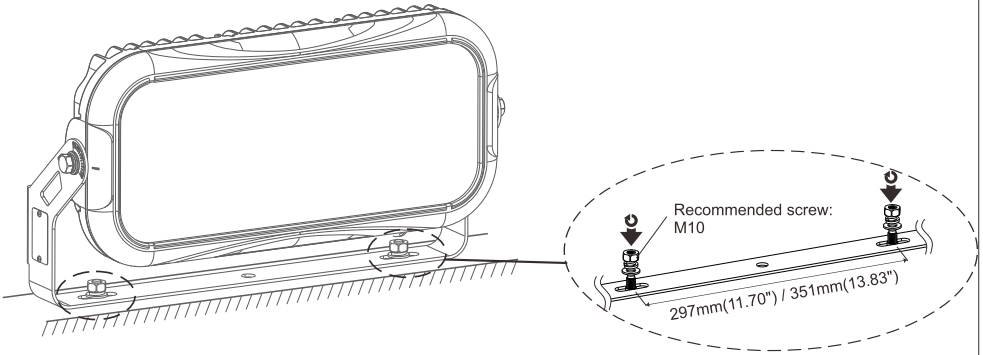


Product Specifications	100W	150W	200W	300W
Input Voltage	48 Vdc			
Outlook Dimensions	470x135x258mm(18.50"x5.31"x10.16")		515x237x460mm(20.31"x9.32"x18.13")	
Net Weight(±6%)	5.5kg(12.13Lbs)		12.9kg(28.45Lbs)	
Working Temperature	-30°C +50°C(-22°F to +122°F)			
Storing Temperature	-40°C +70°C(-40°F to +158°F)			

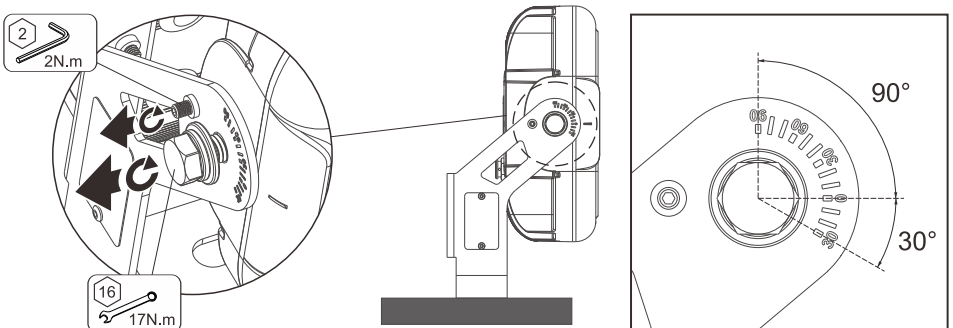
* Please subject to actual product for accurate weight.

Installation

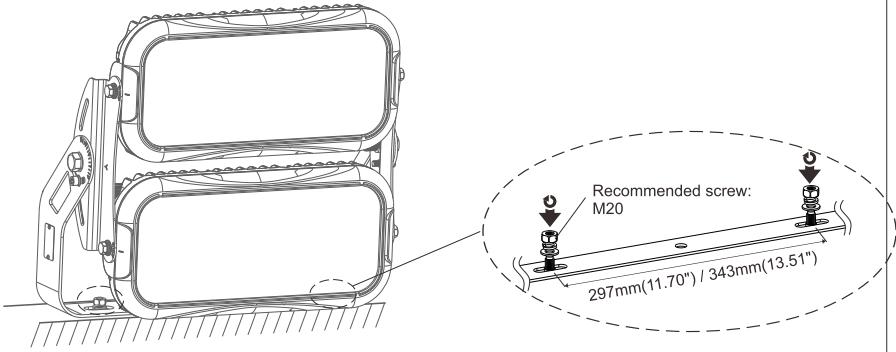
100W/150W



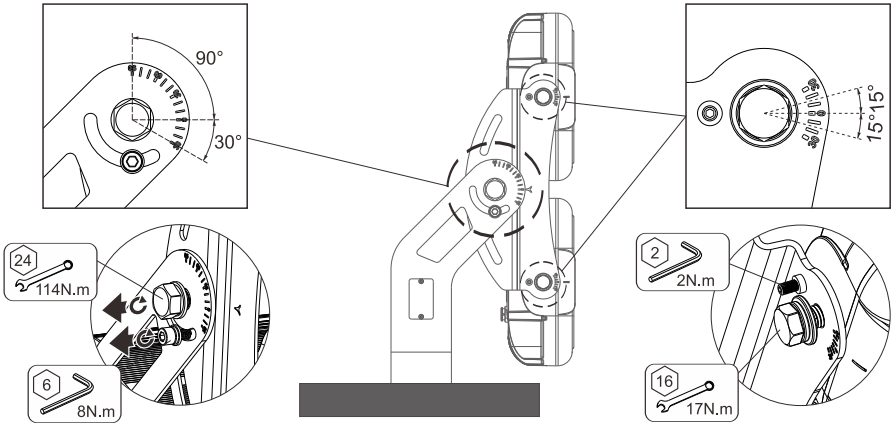
Adjustable angle



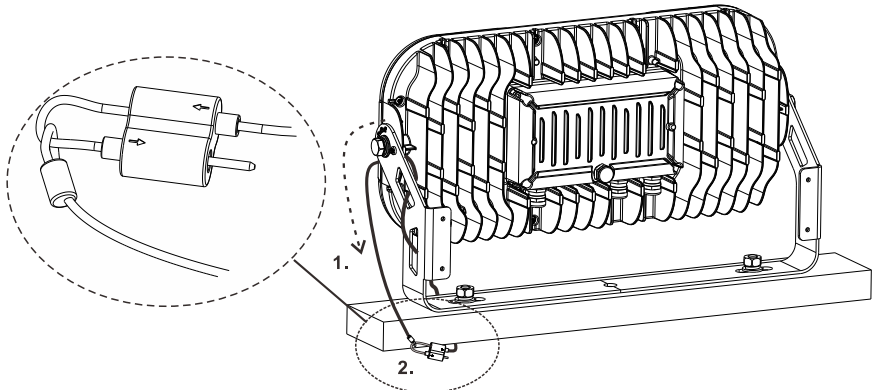
200W/300W



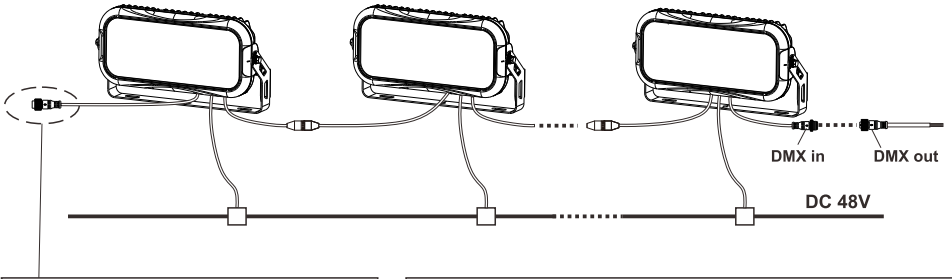
Adjustable angle



Safety Rope Installation



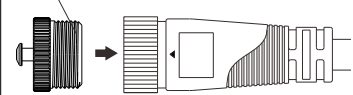
* Please select the appropriate power cord according to the total power of interconnected lamps.



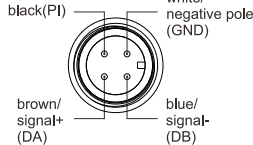
For the terminal lamp:

1. dustproof cap can be selected for insulation purpose
2. 0.25W/120Ω DMX Termination Resistor also can be selected

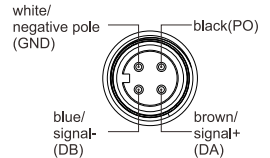
Dustproof Cap



DMX in

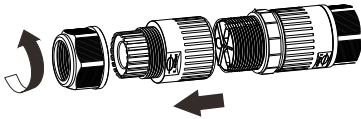


DMX out

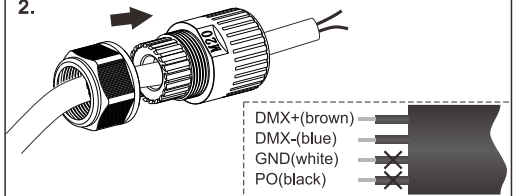


* It is recommended to add 0.25W/120Ω DMX Termination Resistor at the end of each string of luminaires.

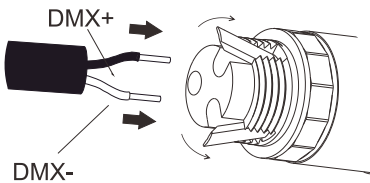
1.



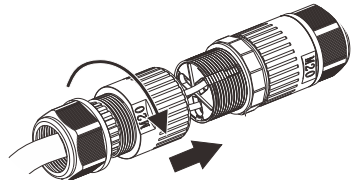
2.



3.



4.

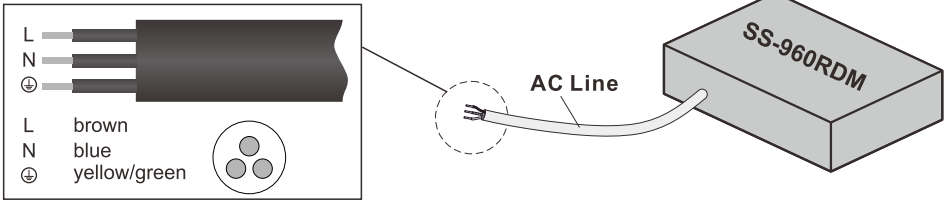


Spliceable Quantity(pcs):

	100W	150W	200W	300W
RGBW	120	120	120	120
RGB	160	160	160	160
Monocolour	160	160	160	160

DMX Controller(Optional)

The DMX controller needs to be purchased separately. We suggest our SS-960RDM controller if you need to change the DMX address settings.

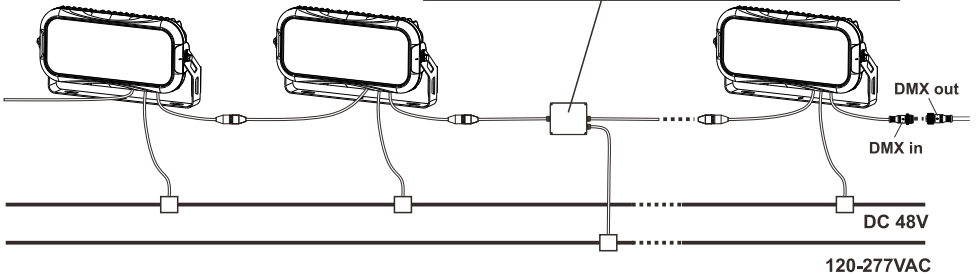
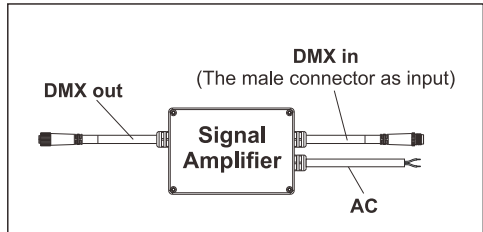


Signal Amplifier(Optional)

It is suggested to connect a signal amplifier every 100 meters or every 32 lights, which can improve the signal stability. If RDM controller is used instead of DMX512 controller, the signal amplifier must be compatible with RDM controller, better to purchase from us directly.

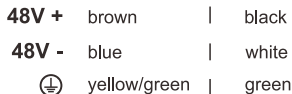
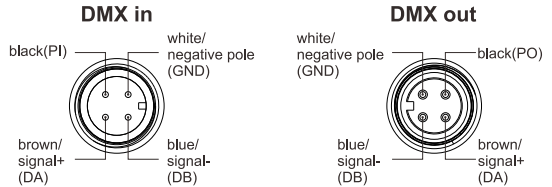
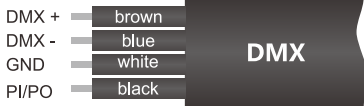
Signal line reversed connection will cause following defects:

1. The luminaire is not controlled.
2. The luminaire keeps flickering.



DMX512 Control

Factory default mode for DMX control: When turn on the luminaire, all colors light up together if no input signal is detected in 10 seconds.



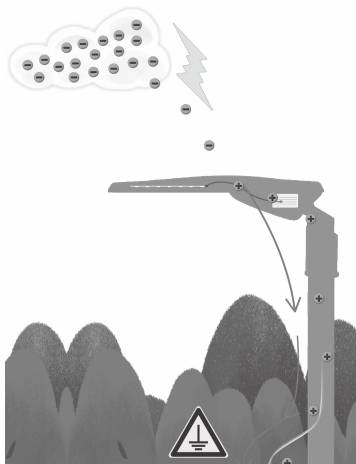
Warning! Do not wire dim cord to high voltage, or dim function will fail.

Precautions for Outdoor Lighting

Lightning is a common natural phenomenon. When the accumulation of electric charge in the thundercloud to a certain degree, air breakdown will occur to cause electrostatic discharge between the clouds, or between the cloud and the earth. Normally there are direct lightning and induction lightning, most LED luminaires damage caused by induction lightning, such as electrostatic induction or magnetic field induction.

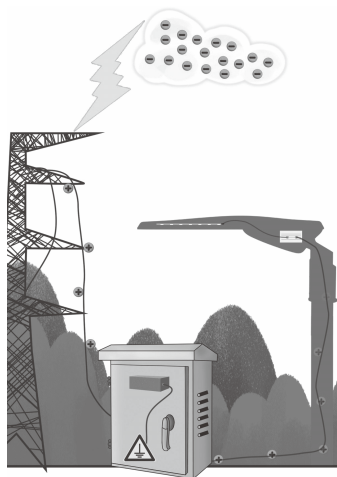
Below pretreatment can reduce lightning hazard, and extend luminaire lifetime.

1. LED luminaire should be effectively grounded



With effective grounding, the electric charge can be introduced to ground quickly

2. Install surge protector in power distribution box



The SPD can absorb most surge energy before luminaire

Reminder

We appreciate your purchase!

Please read the entire instruction manual before installation and keep it for future reference.

1. Please do not modify or dismantle the luminaire or replace accessories without confirming with the supplier first.
2. Please authorize only qualified personnel to install the lamp and ensure they follow the instruction manual. Any improper installation might cause falling, electric shock, fire, or other injury, damage or hazard.
3. Please disconnect power before installation or any maintenance of the lamp. Do not touch the power supply when the lamp is operating.
4. If the luminaire begins to smoke or emit odors, please disconnect power since fire or electric shock may occur. And ask qualified person to inspect and maintain the luminaire.
5. If the external flexible cable or cord of this luminaire is damaged, it shall be exclusively replaced by the manufacturer or his service agent or a similar qualified person in order to avoid a hazard.
6. The light source contained in this luminaire shall only be replaced by the manufacturer or his service agent or a similar qualified person.
7. We suggest you adding a separate surge protection device in distribution box to extend luminaire lifespan.

Applications

1. The product is designed for square, plaza, business street, park, advertising board and similar applications. For other special applications, please consult your salesperson to confirm firstly.
2. Too much dust or oil accumulation on PC lens will stop the lighting emit and heat dissipation, it will change lighting distribution, and cause high heat inside to affect LED chips performance. For such environments, we suggest you to clean the luminaire regularly to ensure longer lifespan. Or you need to use product with glass cover and better heat performance instead.
3. The suggested mounting height of the luminaire is not exceed 25m.