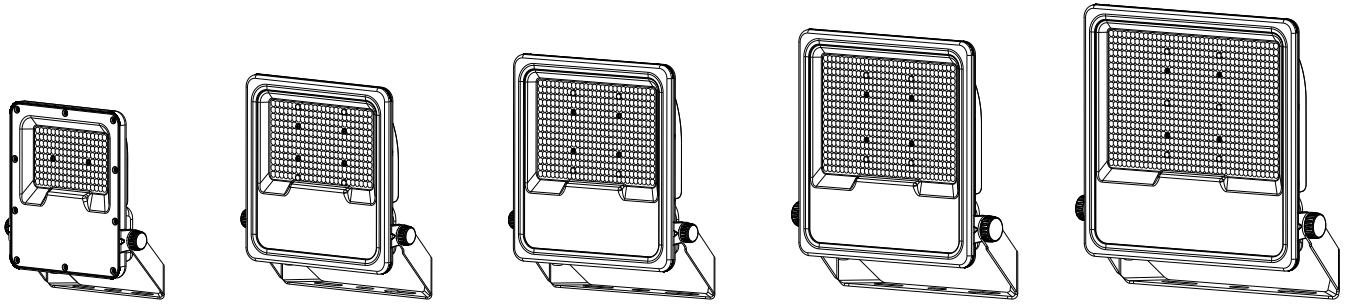


LED Flood Light

Installation Instructions



50W

100W

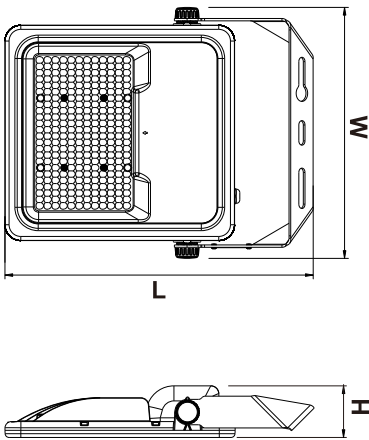
150W

200W

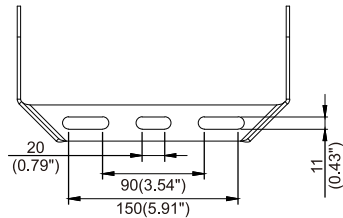
240W/300W



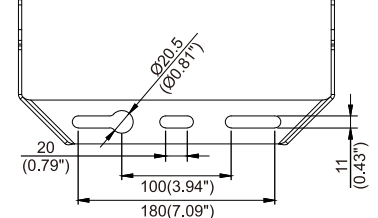
Physical Dimensions(Unit: mm/inch)



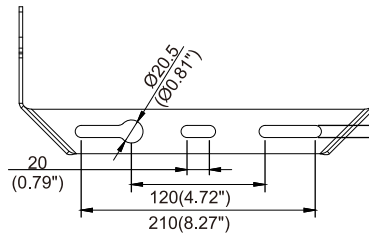
50W



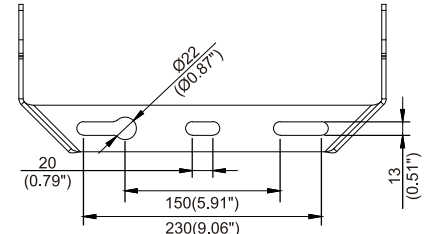
100W



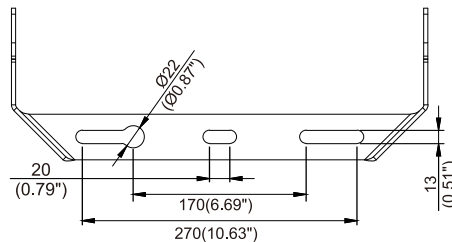
150W



200W



240W/300W



	L	W	H
50W	343.5mm	269mm	65mm
100W	389.2mm	317mm	65mm
150W	419.2mm	349mm	65mm
200W	458.6mm	387mm	65mm
240W/ 300W	498.7mm	441mm	70mm

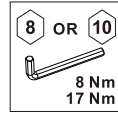
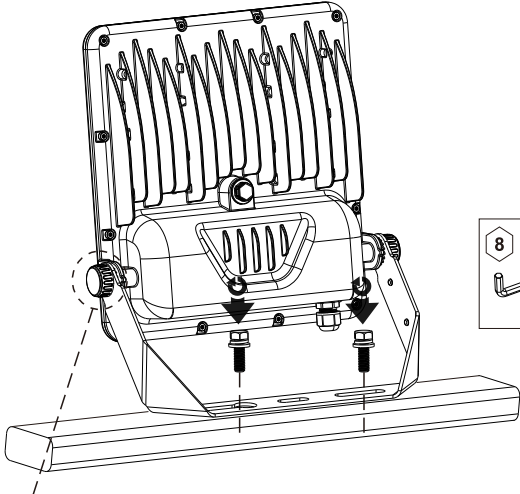
Product Specifications	50W	100W	150W	200W	240W	300W
Input Voltage	100-277VAC / 120-277VAC / 100-240VAC / 220-240VAC (Subject to the input voltage on nameplate)					
Power Frequency	50/60 Hz					
Outlook Dimensions	343.5x269x65mm (13.52"x10.59"x2.56")	389.2x317x65mm (15.32"x12.48"x2.56")	419.2x349x65mm (16.5"x13.74"x2.56")	458.6x387x65mm (18.06"x15.24"x2.56")	498.7x441x70mm (19.63"x17.36"x2.76")	
Luminaire Net Weight	1.97±0.3kg (4.34±0.66Lbs)	3.2±0.3kg (7.05±0.66Lbs)	3.8±0.3kg (8.38±0.66Lbs)	4.7±0.3kg (10.36±0.66Lbs)	5.82±0.3kg (12.83±0.66Lbs)	5.9±0.3kg (13±0.66Lbs)
Projected Area	0.07m ² (0.752ft ²)	0.095m ² (1.019ft ²)	0.117m ² (1.257ft ²)	0.141m ² (1.519ft ²)	0.183m ² (1.965ft ²)	
Working Temperature	-30°C to +45°C(-22°F to +113°F)					
Storing Temperature	-40°C to +70°C(-40°F to +158°F)					

LED Flood Light

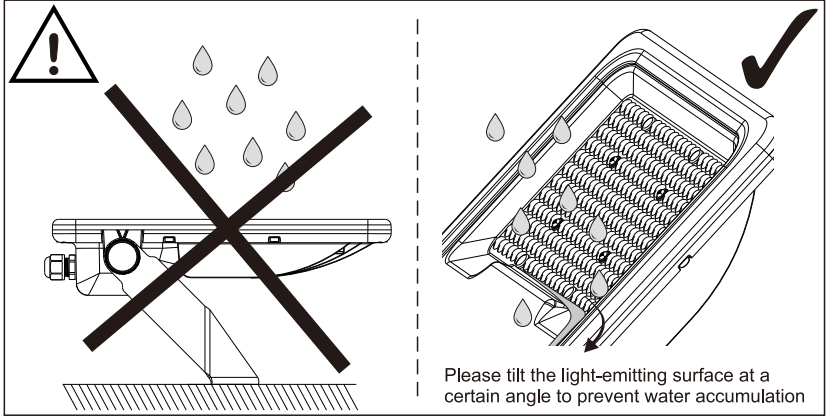
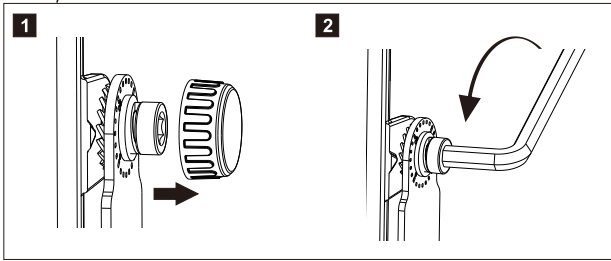
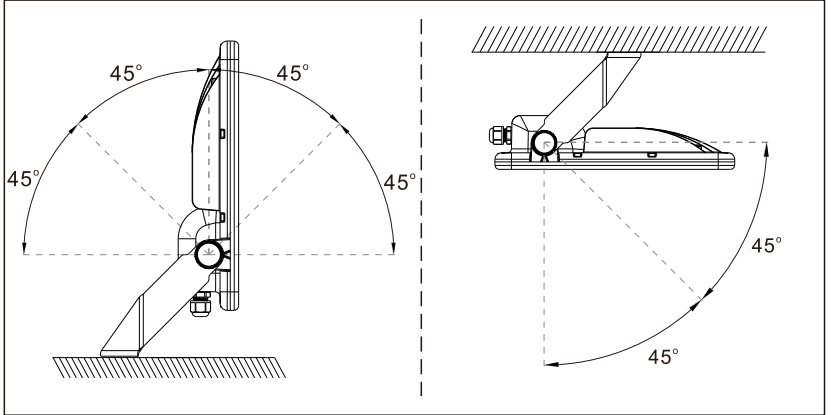
Installation Instructions

Installation

Recommended screw size: M10

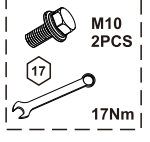
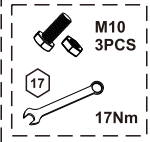
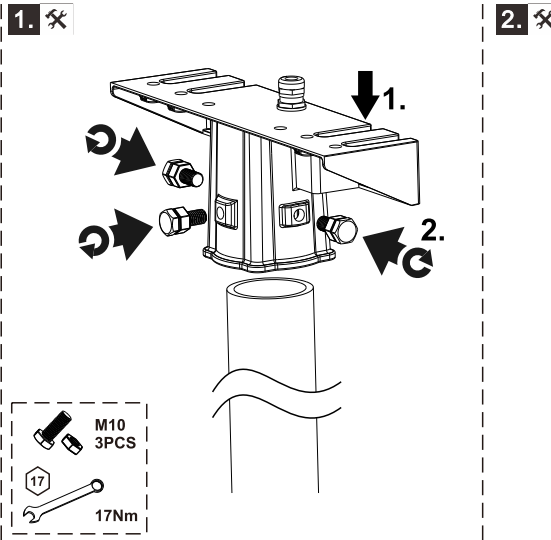
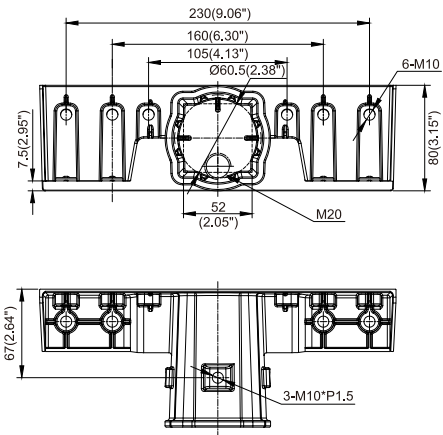


Installation Angle



Please tilt the light-emitting surface at a certain angle to prevent water accumulation

Adaptor Mounting(Optional)



Dimmable

<p>⊙ DIM+/DA1 purple or purple or blue or brown or black or red</p> <p>⊙ DIM-/DA2 gray or pink or white or blue or gray or orange</p>	<p>⊙ DIM+/DA1 purple purple purple purple</p> <p>⊙ DIM-/DA2 gray or pink or gray or pink</p> <p>Aux 12Vdc + pink black/white black/white red</p>	<p>⊙ DIM+/DA1 purple purple purple</p> <p>⊙ DIM-/DA2 gray or pink or pink</p> <p>Aux 12Vdc + pink black/white black/white red</p> <p>Aux 12Vdc - black/white blue/white orange</p>	<p>⊙ L brown black</p> <p>⊙ N blue white</p> <p>⊙ GND yellow/green green</p> <p>⊙ L brown black</p> <p>⊙ N blue white</p> <p>⊙ GND yellow/green green</p> <p>⊙ GND yellow/green green</p> <p>⊙ DIM+/DA1 black red brown</p> <p>⊙ DIM-/DA2 gray orange blue</p>
---	--	--	--



Warning! do not wire dim cord to high voltage, or dim function will fail.

- The light source contained in this luminaire shall only be replaced by the manufacturer or his service agent or a similar qualified person.
- If the external flexible cable or cord of this luminaire is damaged, it shall be exclusively replaced by the manufacturer or his service agent or a similar qualified person in order to avoid a hazard.