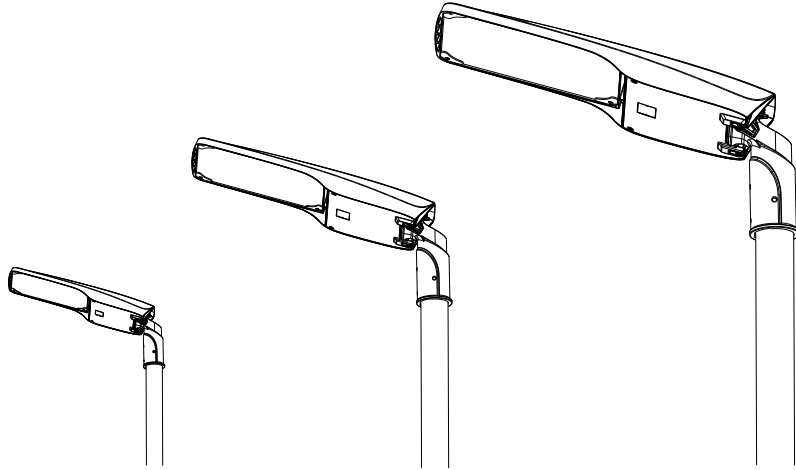
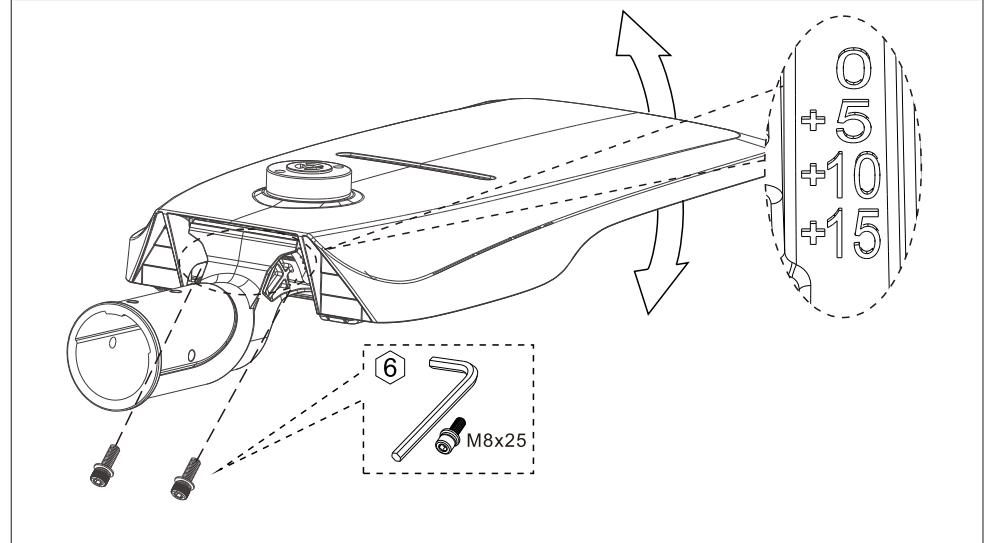
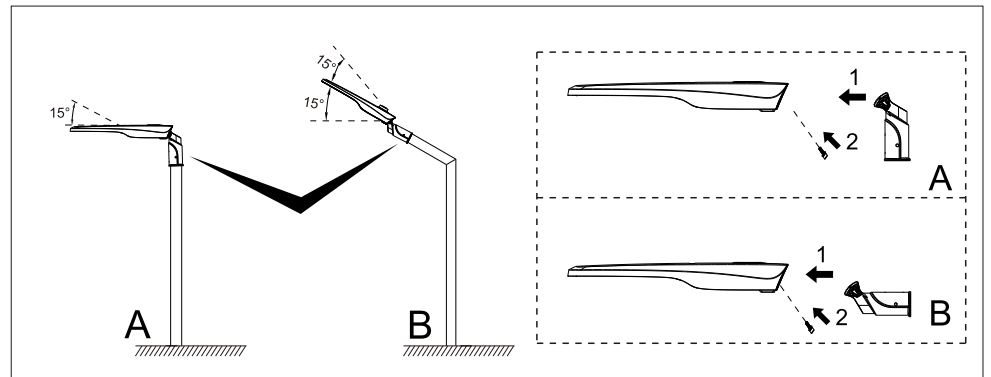
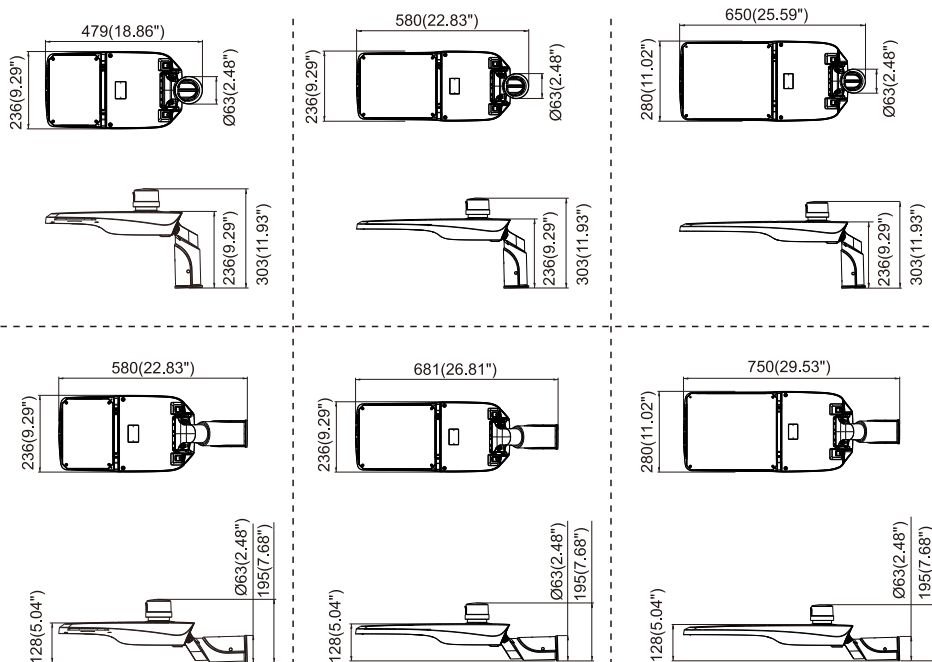


LED Street Light

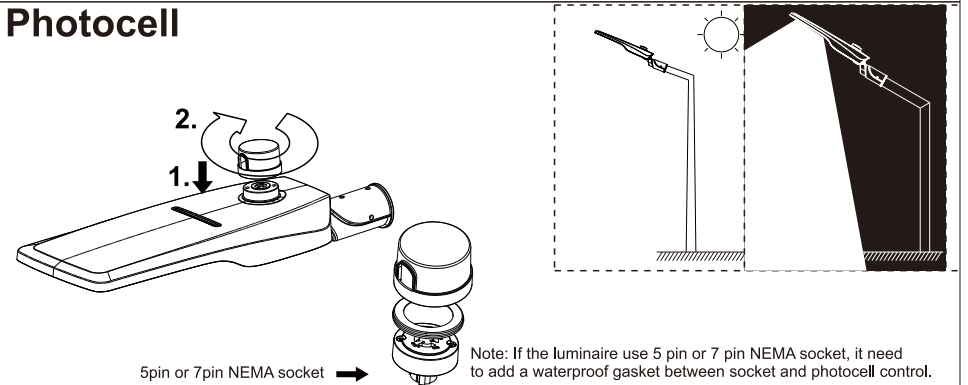
Installation Instructions



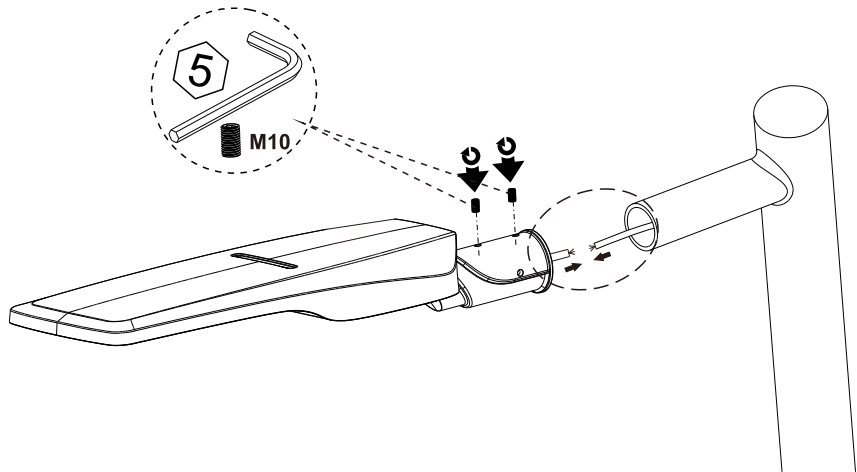
Physical Dimensions(mm/inch)



Photocell



| | | | |
|----------------------------|--------------------------------|-----------------------------|-----------------|
| Rated Voltage | 120-277VAC | Turn-Off Level / Time-Delay | 60Lx / 2~15s |
| Applicable Voltage Range | 105-305VAC | Ambient Temp. | -40°C ~ +70°C |
| Rated Frequency | 50/60Hz | Related Humidity | 99% |
| Rated Loading | 1000W Tungsten, 1800VA Ballast | Service Life | 5000 times |
| Power Consumption | 1.0VA | Overall Size | 84(Dia.) x 66mm |
| Turn-On Level / Time-Delay | 10Lx / 15~120s | Weight Approx. | 88g |



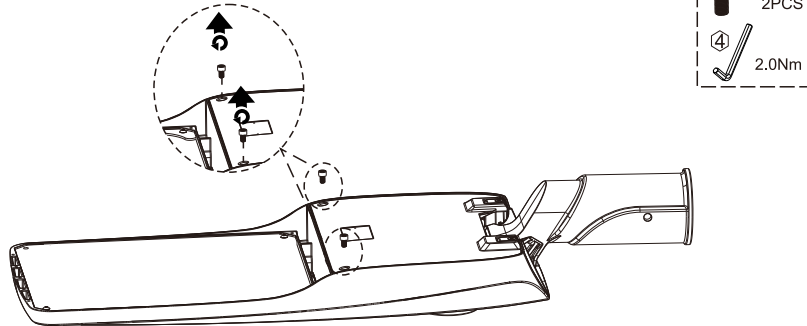
Dimmable

| | | | | | | | | | | |
|--------------|------------|--------------|--------------|--------|----|-------------|----|-------------|----|-------|
| Class I | L | brown | DIM+/DA1 | purple | or | purple | or | blue | or | brown |
| | N | blue | | gray | or | pink | or | white | or | blue |
| | ⊕ GND | yellow/green | | | | | | | | |
| Class II | L | brown | DIM+/DA1 | purple | or | purple | or | purple | | |
| | N | blue | | gray | or | pink | or | gray | | |
| | Aux 12Vdc+ | | | pink | or | black/white | or | black/white | | |

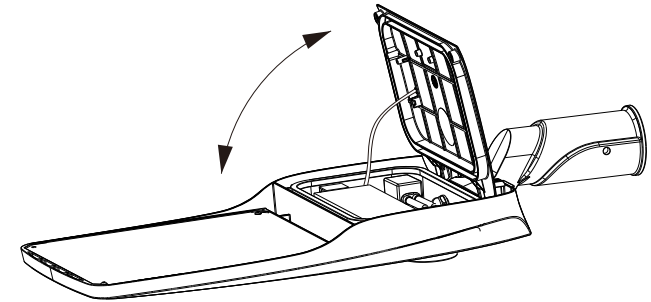
• Please make sure the luminaire is properly grounded.

Maintenance(How to open it)

①



②



! Warning

1. To avoid damage, falling, electric shock or fire, please do not modify the lamp or replace accessories without confirming with the supplier first.
2. Please authorize only qualified personnel to install the lamp and ensure they follow the instruction manual. Any improper installation might cause falling, electric shock, fire, or other injury, damage or hazard.
3. Please disconnect power before installation or any maintenance of the lamp.
4. Please disconnect power if it begins to smoke or emit odors, since fire or electric shock may occur. Ask qualified person to inspect and maintain the luminaire.
5. Please do not dismantle the lamp without the supplier's authorization.
6. Please do not touch the power supply when the lamp is operating.
7. If the external flexible cable or cord of the luminaire is damaged, it should only be replaced by the supplier, a service agent or qualified person.
8. Terminal block not included. The electrical fitting must be installed by a licensed electrician
9. The light source contained in this luminaire shall only be replaced by the manufacturer or his service agent or a similar qualified person.
10. Only to be installed outside arms reach.
11. For use in environments where an accumulation of non-conductive dust on the luminaire may be expected.
12. Mounting heights of lights not higher than 30m.



Caution risk of electric shock

| Product Specifications | | Small size | Medium size | Large size |
|------------------------|------------|---|---|--|
| Input Voltage | | 100-240 VAC | | |
| Power Frequency | | 50 / 60 Hz | | |
| Outlook Dimensions | Side Entry | 580x236x128mm (22.83"x9.29"x5.04") | 681x236x128mm (26.81"x9.29"x5.04") | 750x280x128mm (29.53"x11.02"x5.04") |
| | Post Entry | 479x303x236mm (18.86"x11.93"x9.29") | 580x303x236mm (22.83"x11.93"x9.29") | 650x303x280mm (25.59"x11.93"x11.02") |
| Net Weight(±0.3kg) | | 3.5 | 4.5 | 6.0 |
| Projected Area | | 0.12m ² (1.27ft ²) | 0.15m ² (1.58ft ²) | 0.2m ² (2.13ft ²) |
| Working Temperature | Class I | -30°C to +50°C(-22°F to +122°F) | | |
| | Class II | -30°C to +40°C(-22°F to +104°F) | | |
| Storing Temperature | | -40°C to +70°C(-40°F to +158°F) | | |