

LED Tubular Light

130
lm/w

IP66

IK10

1-10V

DALI

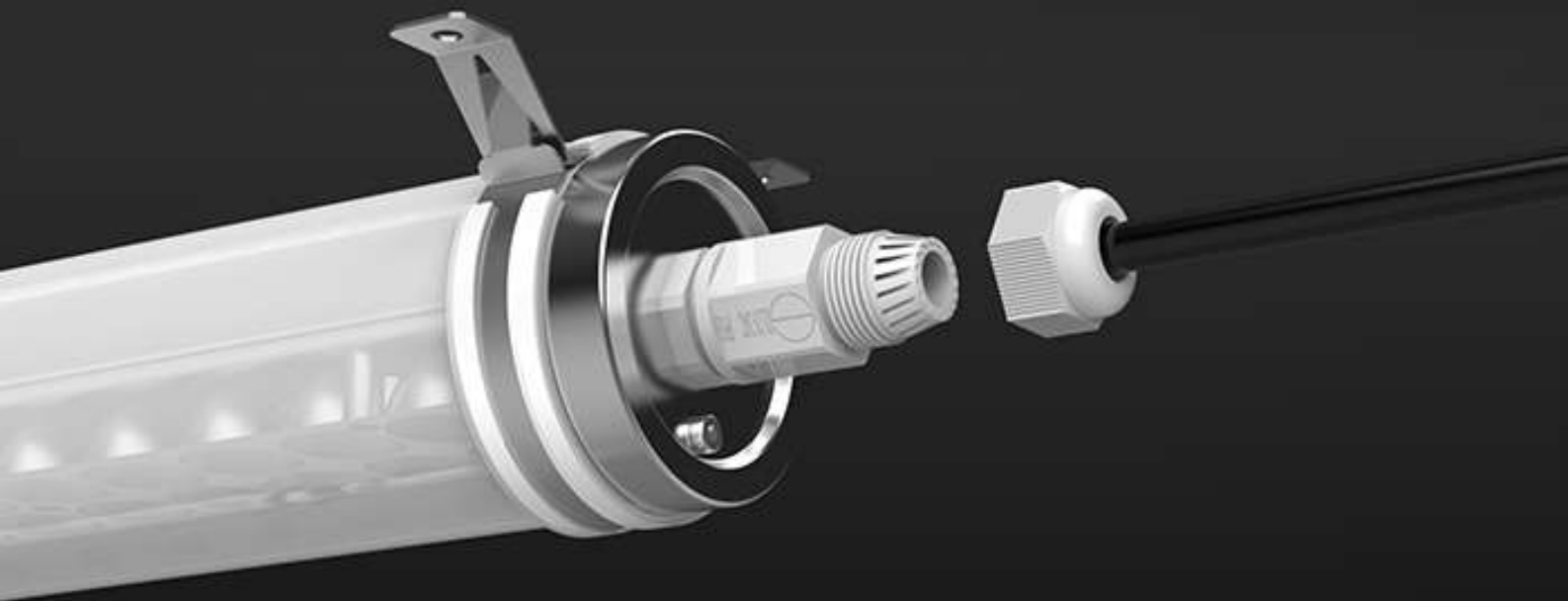
High degree of protection IP69K with PC cover, it's ideal for food processing and car washing factory

1390mm / 50W

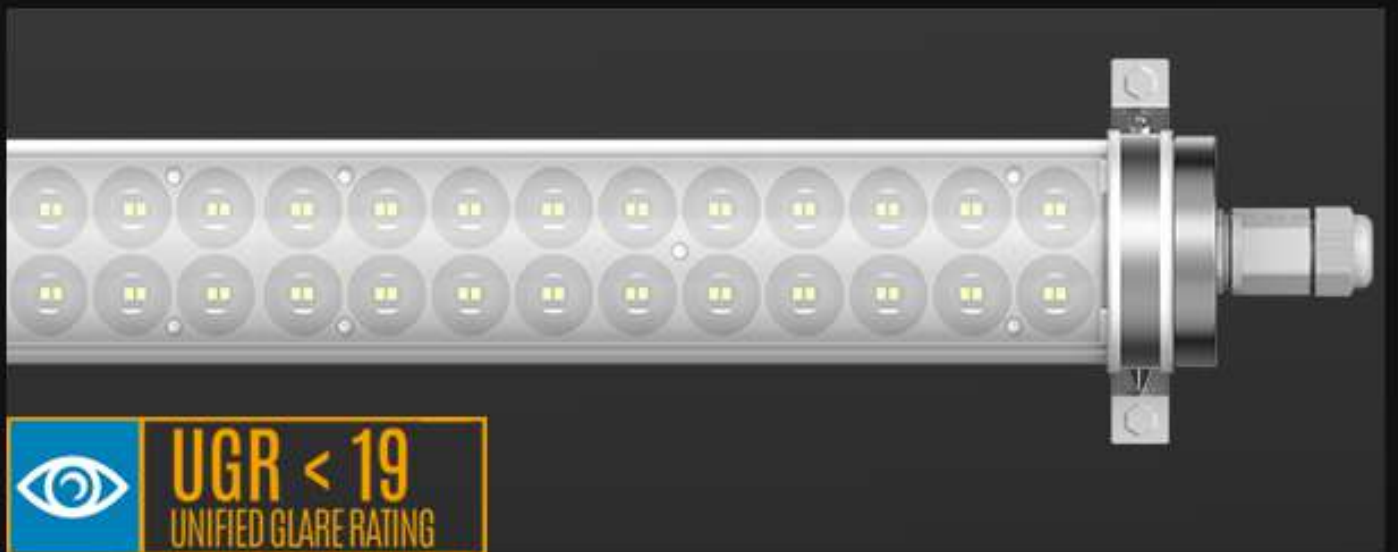
1128mm / 40W

600mm / 20W

**Flexible in wiring connection,
can be connected from side, plug-and-play
316 Stainless steel end caps and bracket**



**UGR anti-glare are optional,
60°, 90° clear PC cover for office, corridor lighting**



• Office Lighting



Acrylic (PMMA) + Stainless anti corrosive materials:

• Animal Farm(Ammonia gas) , Chemical factory where has corrosive gas.



PC cover material, pressurized-water resistant:

- IP69K for food Industry (IFS certified companies)



Support ceiling mounted and suspended mounted

